



Features

- BIG BROTHER of our PRO-L series motorized screen.
- Motor can be changed without taking down the screen.
- Superior image reproduction.
- Radio Frequency Remote to control screen up/stop/down position
- Wall mounted up/down switch provided
- Universal Mounting kit for all types mounting

Model	Diagonal	Viewing Area	
<u>1:1 Format (No Black Border)</u>			
XXL-4040C/Vyl	-	157" x 157"	4000 x 4000mm
XXL-4343C/Vyl	-	168" x 168"	4270 x 4270mm
XXL-4545C/Vyl	-	177" x 177"	4500 x 4500mm
XXL-4646C/Vyl	-	180" x 180"	4570 x 4570mm
XXL-4949C/J/Vyl	-	192" x 192"	4880 x 4880mm
XXL-5050C/J/Vyl	-	197" x 197"	5000 x 5000mm
XXL-5252C/J/Vyl	-	204" x 204"	5180 x 5180mm
XXL-5555C/J/Vyl	-	216" x 216"	5490 x 5490mm
XXL-5858C/J/Vyl	-	228" x 228"	5790 x 5790mm
XXL-6060C/J/Vyl	-	236" x 236"	6000 x 6000mm
XXL-6161C/J/Vyl	-	240" x 240"	6100 x 6100mm
XXL-6464C/J/Vyl	-	252" x 252"	6400 x 6400mm
<u>4:3 Format (4 sides black border)</u>			
XXL-4030C/Vyl	200"	157" x 118"	4000 x 3000mm
XXL-4232C/Vyl	210"	164" x 126"	4170 x 3200mm
XXL-4534C/Vyl	220"	177" x 134"	4500 x 3400mm
XXL-4937C/Vyl	240"	192" x 144"	4880 x 3660mm
XXL-5038C/Vyl	246"	197" x 148"	5000 x 3750mm
XXL-5541C/J/Vyl	270"	216" x 162"	5490 x 4110mm
XXL-6045C/J/Vyl	295"	236" x 177"	6000 x 4500mm
XXL-6146C/J/Vyl	300"	240" x 180"	6100 x 4570mm
XXL-6347C/J/Vyl	312"	250" x 187"	6340 x 4750mm

*** For other screen sizes, please call for consultation.

Model	Diagonal	Viewing Area	
16:9 Format (4 sides black border)			
XXL-4022C/Vyl	180"	157" x 89"	4000 x 2250mm
XXL-4425C/Vyl	200"	174" x 98"	4430 x 2490mm
XXL-5028C/Vyl	225"	197" x 111"	5000 x 2810mm
XXL-5531C/Vyl	250"	218" x 122"	5530 x 3110mm
XXL-6033C/Vyl	271"	236" x 133"	6000 x 3370mm
XXL-6335C/Vyl	286"	250" x 140"	6340 x 3560mm

***** For other screen sizes, please call for consultation.**

Specifications

Motor Type :	AC Tubular Motor; Silent Type
Motor Speed :	9 rpm
Operating :	120 deg. Celsius (thermostat cut off motor)
Fabric Roll Speed :	4.2 m/min
Screen Gain :	1.2
Viewing Angle :	160 degrees viewing cone
Screen Materials :	Matte White, Vinyl fabric Flame Retardant and fungus resistant
External Wired Control:	Normally open, momentary contact closure (voltage free)
Casing Colour :	Black
Power Consumption :	350W
Current :	1.5 Amperes
Voltage :	220 - 240 VAC, 50/60 Hz

Accessories



AVA-200
Spring-Loaded
Wall Switch



AVA-320-RF 1Ch
RF Remote

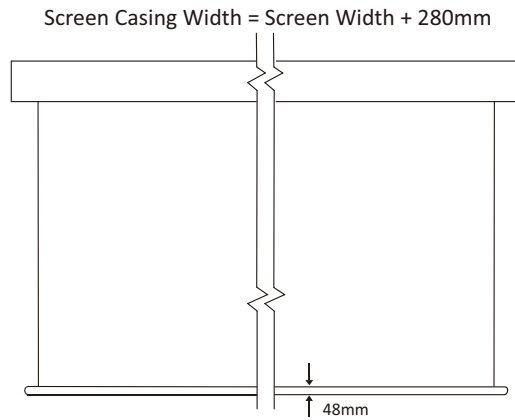


AVA-351A-Rx Box
RF Receiver

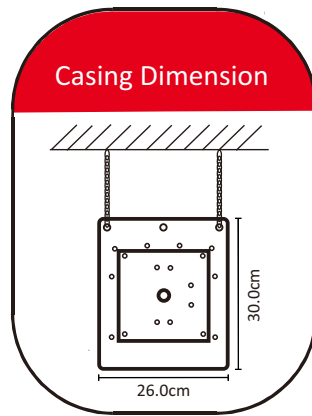


Universal Bracket

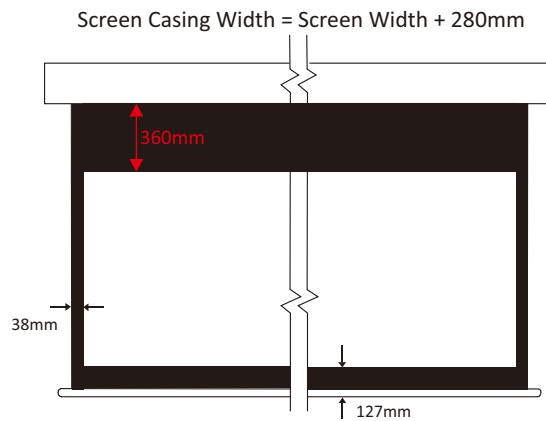
Dimensions



Screen with no black border



* For details dimension ,
please refer to technical specifications at
www.remacotech.com



Screen with 4 sides black border