

Features

- Comes with tension design on both side of the screen fabric
- Made of high quality screen fabric and gives an extreme flat surface for excellent viewing performance
- Radio Frequency Remote to control screen up/stop/down position
- Wall mounted up/down switch provided
- Direct connection to AV Control System



Model	Diagonal	Viewing Area	
<u>4:3 Format</u>			
TEN(MXL)-6549C/J	320"	256" x 192"	6500 x 4880mm
TEN(MXL)-7355C/J	360"	288" x 216"	7320 x 5490mm
TEN(MXL)-7556C/J	370"	296" x 222"	7520 x 5640mm
<u>16:9 Format</u>			
TEN(MXL)-6637C/J	300"	261" x 147"	6640 x 3730mm
TEN(MXL)-7039C/J	316"	276" x 155"	7000 x 3940mm
TEN(MXL)-7542C/J	338"	295" x 166"	7500 x 4220mm
TEN(MXL)-8045C/J	361"	315" x 177"	8000 x 4500mm
TEN(MXL)-8548C/J	383"	335" x 188"	8500 x 4780mm
TEN(MXL)-9050C/J	406"	354" x 199"	9000 x 5060mm
TEN(MXL)-9553C/J	429"	374" x 210"	9500 x 5340mm

***** Various fabric types and other screen sizes available.**

Specifications

Motor Type :	AC Tubular Motor; Silent Type
Motor Speed :	9 rpm
Operating :	120 deg. Celsius (thermostat cut off motor)
Fabric Roll Speed :	5.6 m/min
Screen Gain :	1.1
Viewing Angle :	160 degrees viewing cone
Screen Materials :	Matte White, Vinyl fabric Flame Retardant and fungus resistant
External Wired Control:	Normally open, momentary contact closure (voltage free)
Casing Colour:	Black
Power Consumption :	350W
Current :	1.5 Amperes
Voltage :	220 - 240 VAC, 50/60 Hz

Accessories



AVA-200
Spring-Loaded
Wall Switch

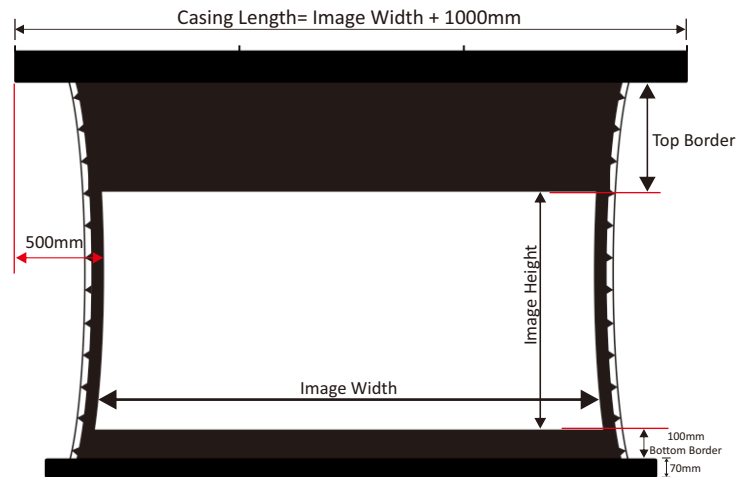
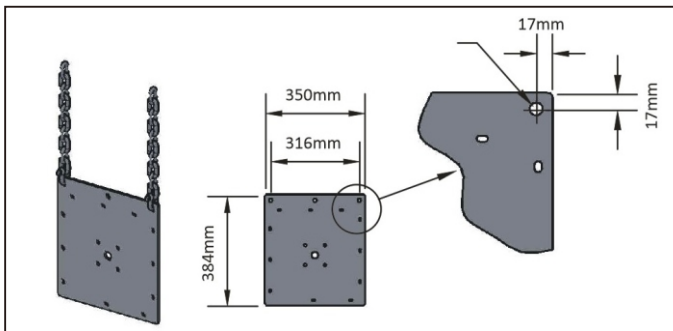


AVA-320-RF 1Ch
RF Remote



AVA-351-Rx Box
RF Receiver

Dimensions



* For details dimension ,
please refer to technical specifications at
www.remacotech.com