

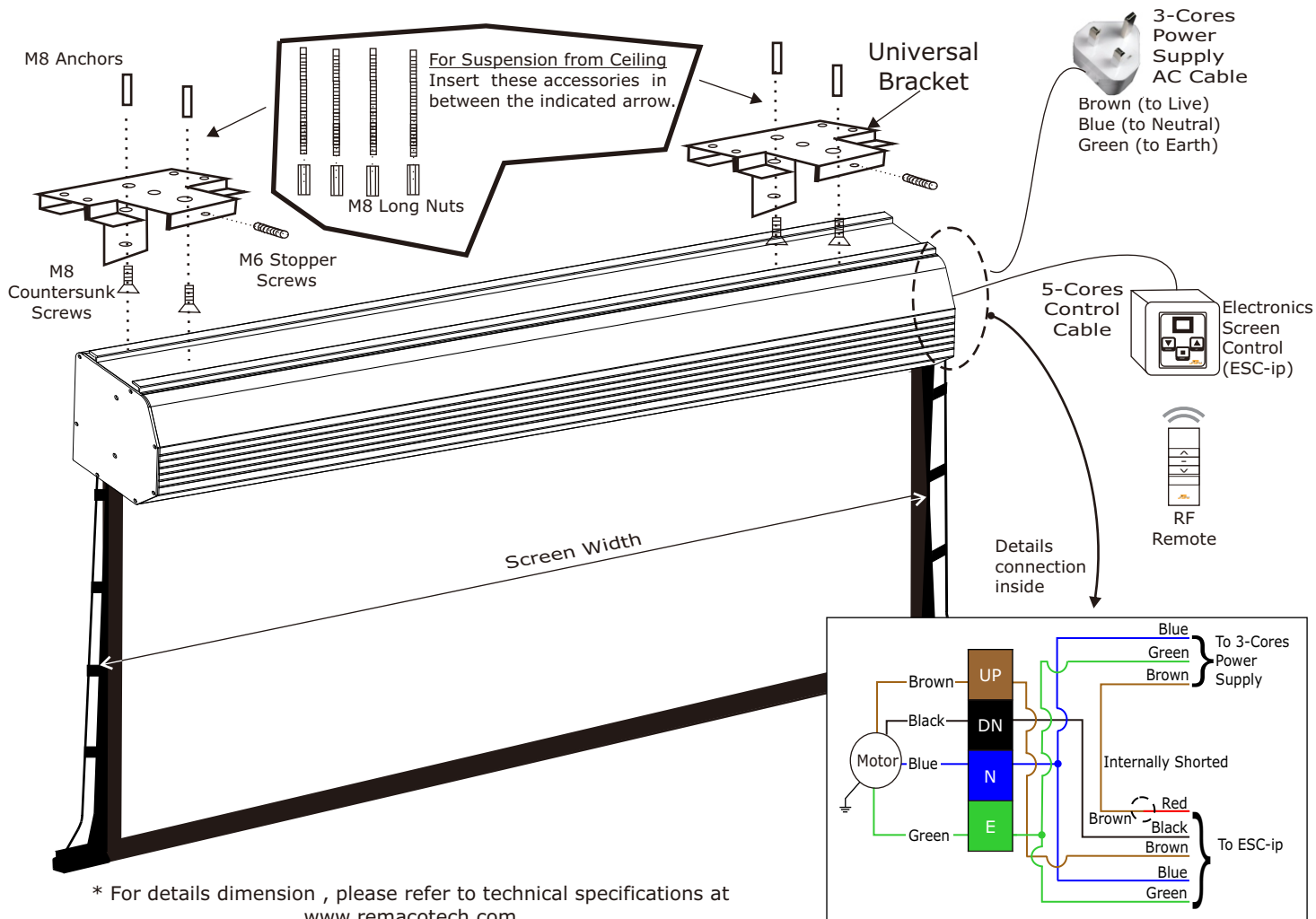
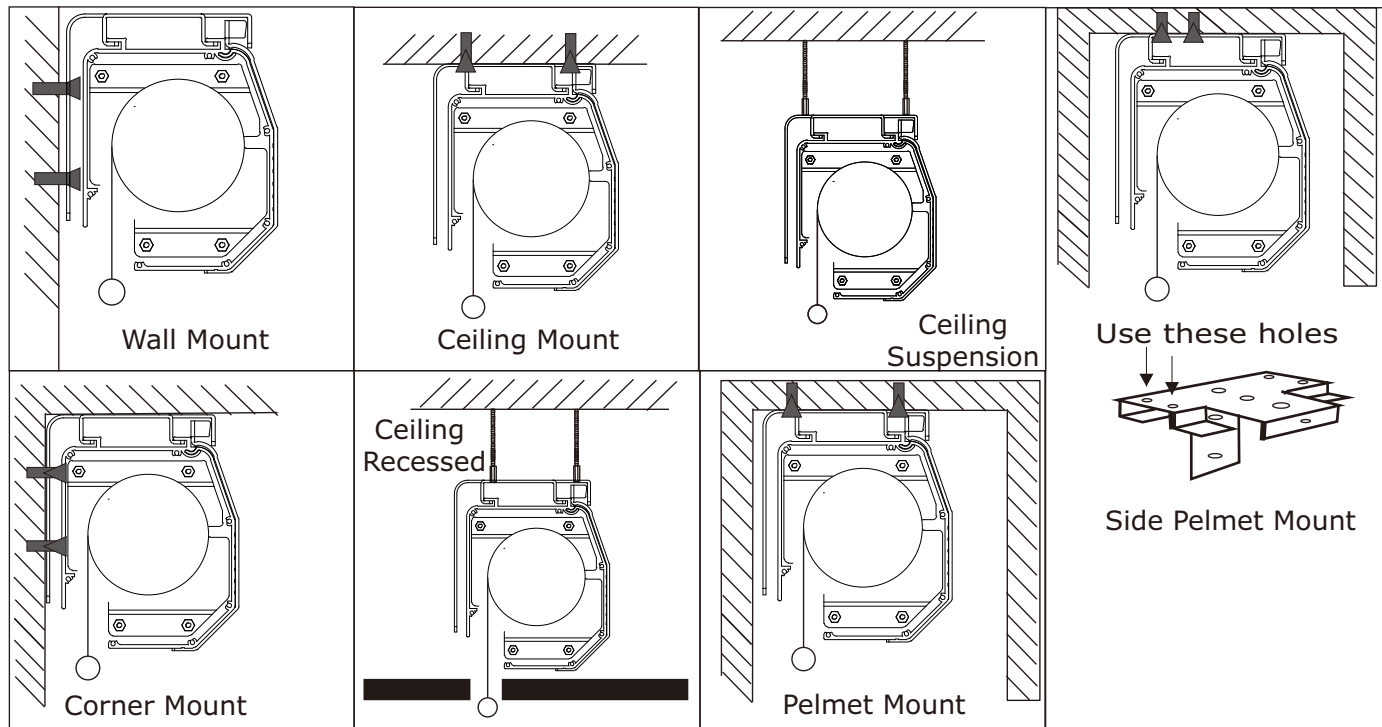
Installation Guide / Manual (TEN-1612V to TEN-3319H)

ESC-ip

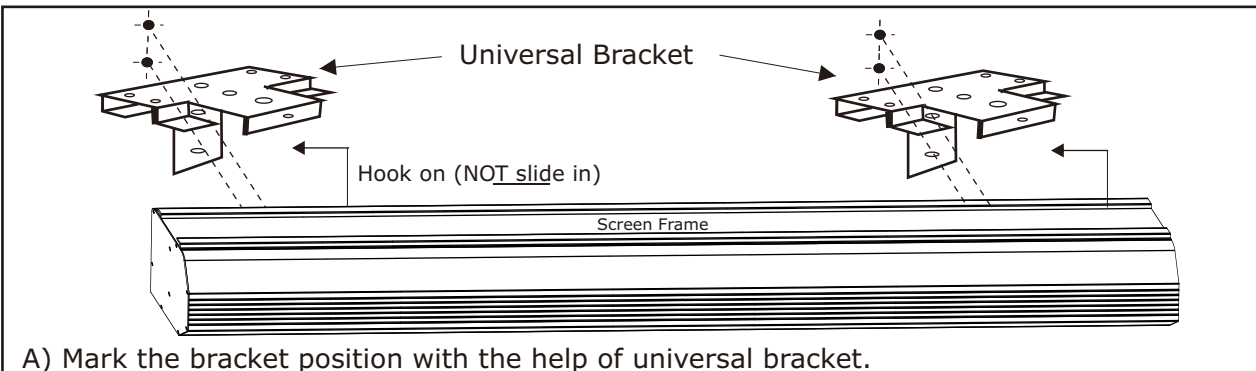
Warning

Caution with main supply and live wires. Install with qualified technician or trained personnel. It is highly recommended to connect the ESC Earth wire to prevent power surge from damaging this device.

Universal Bracket can be used for any type of installation as shown below.

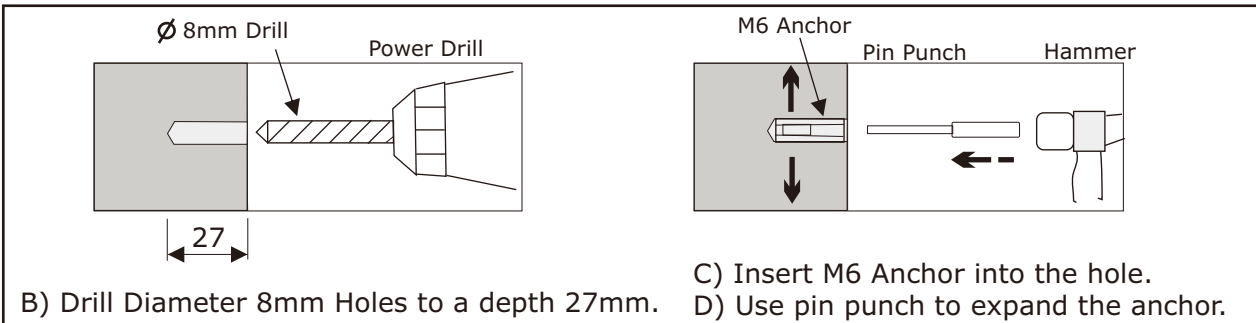


STEP 1



A) Mark the bracket position with the help of universal bracket.

STEP 2



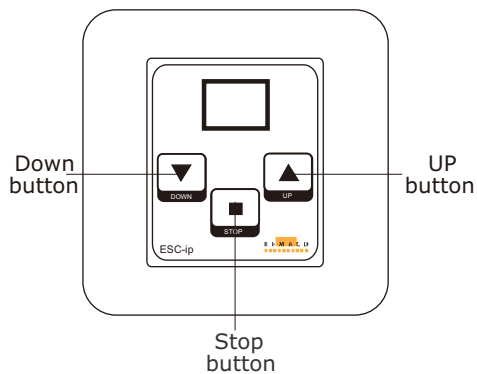
B) Drill Diameter 8mm Holes to a depth 27mm.

C) Insert M6 Anchor into the hole.

D) Use pin punch to expand the anchor.

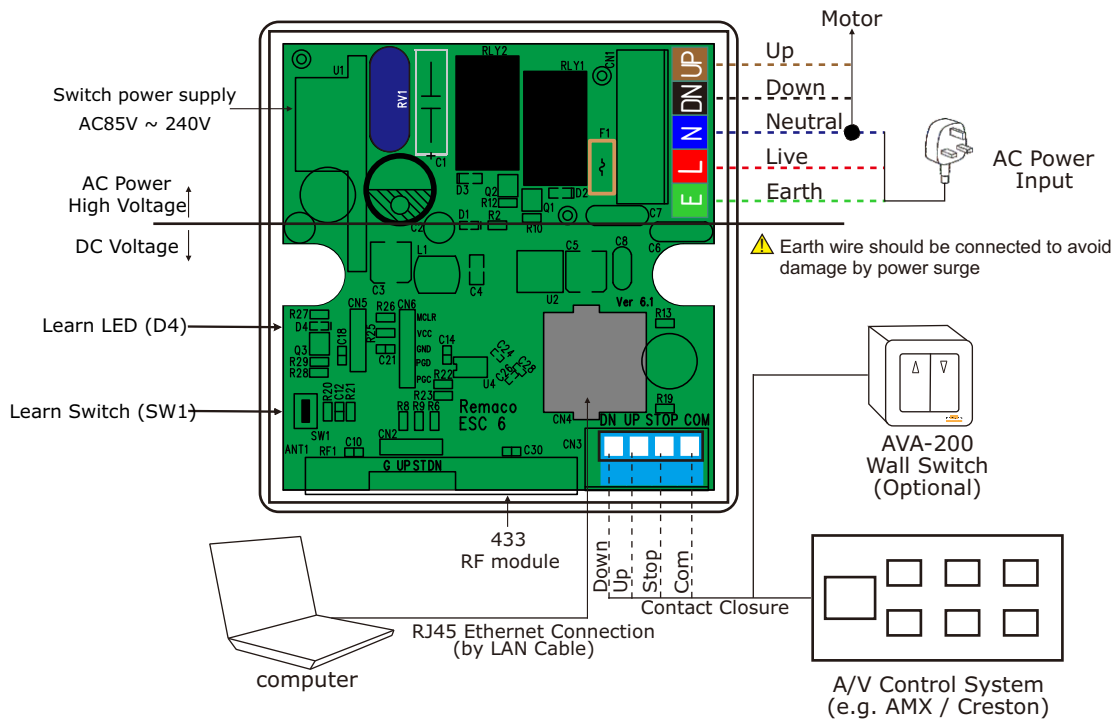
STEP 3

AVA-ESC-ip Electronic Screen Control



Specifications

Voltage AC (Volts)	230Vac 50Hz/60Hz
Power	1150 Watts
Frequency	RF : 433MHz
Sensitivity Range	RF : 40 metres
Temperature (Celsius)	-20 C to -70 C



⚠ Momentary Contact closure connection (dry contact, normally open, voltage free). Recommended to set close contact for 1.5sec for best working condition. Any voltage above 3Vdc voltage will damage this ESC Suitable to use with control systems (example: AMX, Crestron, Extron, ..etc) **Warranty void if damaged is caused by inappropriate use

Control by Radio Frequency Remote

OPTION-1



AVA-315
Radio Frequency Remote

Pairing ESC-ip with AVA-315 1-Ch

Learning Mode

Step1. Press and Hold switch SW1 until LED (D4) flash slowly.

Step2. Release SW1 then press UP button on the RF remote, motor step-move again and stop.

Step3. LED (D4) off and "Learning" is completed successfully.

* **NOTE:** When pairing ensure ESC-ip and AVA-315 RF Remote within 20cm distance.

****NOTE:** If nothing is pressed within 20seconds, the learning mode will disable and back to normal mode.

Delete Mode

Step1. Press and Hold SW1 until the LED (D4) flash fast.

Step2. Release SW1.

Step3. Press SW1 again within 7 seconds.

Step4. LED (D4) off, "Delete" mode is completed successfully.

Control by IP (Internet Protocol)

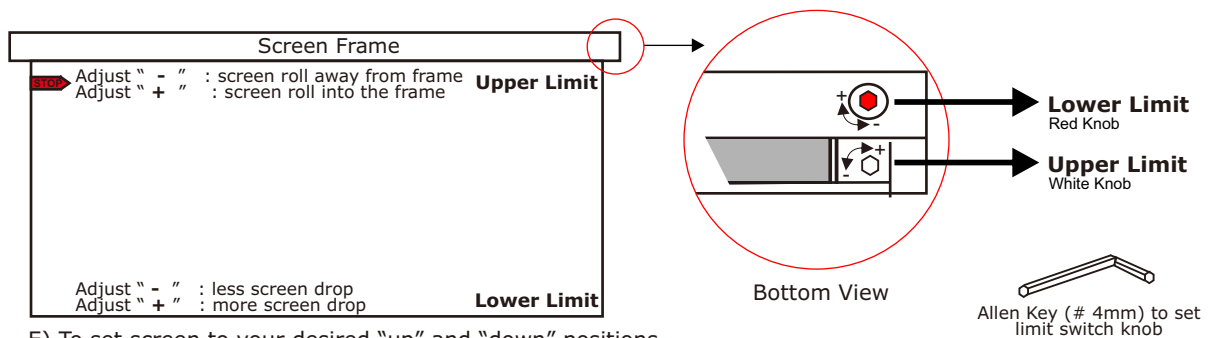
OPTION-2

IP Control Configuration

To control screen by Internet Protocol address (IP address) connected through computer network.

Please visit our website (www.remacotech.com) and click on "[Downloads > Installation Guides > AVA-ESC-ip](#)".

STEP 4



E) To set screen to your desired "up" and "down" positions.

Important Note

The upper limit and lower limit of the screen had been preset in factory. Any adjustment to these 2 limit switches may cause damages to the screen fabric. If adjusted, it will cause the following problems:

- The screen will roll into the frame and stop by force and not by the Upper Limit switch. This will cause overheating of motor which unable the screen to operate properly.
- The depression of the bottom bar onto the fabric will cause horizontal mark on screen surface.
- Adjusting the Lower Limit of the screen any lower than beyond the STOP sticker may cause the fabric to drop off

Disclaimer

Any adjustment to these 2 limit switches will void the warranty for the screen and Remaco will hold no responsibility for any damages to it. Please consult us if it is necessary to do any adjustment to the limit switch.

End