

Installation Guide (FIX SERIES)

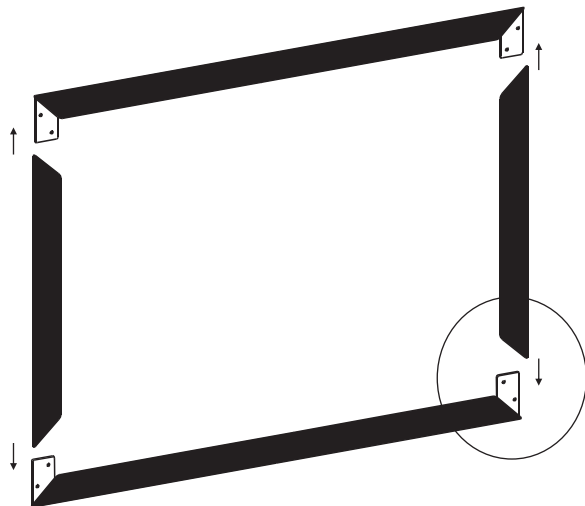
FIX

Warning

Should the screen install in cold weather (Temperature below 18 degrees), please warm up the screen by opening it and leave it with the room heater for an hour to allow fabric to expand. This measure is to prevent the fabrics from tearing.

Step 1

Front View



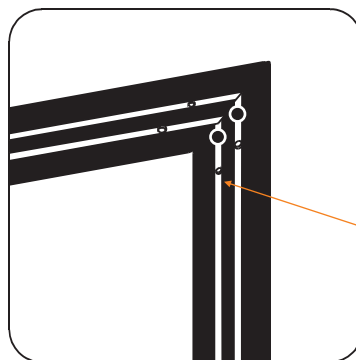
Frame Assembly

Place the frame sections on the floor as shown.

To form a rectangle, insert frame into the metal angle joint bracket. Screw the respective 2 holes with the screws provided.



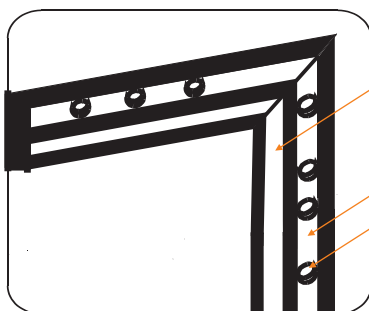
Back-view of the frame



Back-view of the frame

Place 1 moveable button and screw it in place on the provided hole in one of the desire track.

Step 2

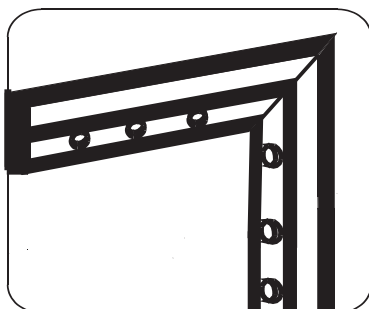


Inner track

Outer track

Snap Button

Default setting of the buttons are located at the outer track. Outer track is ideal for room temperature above 25° Celsius.

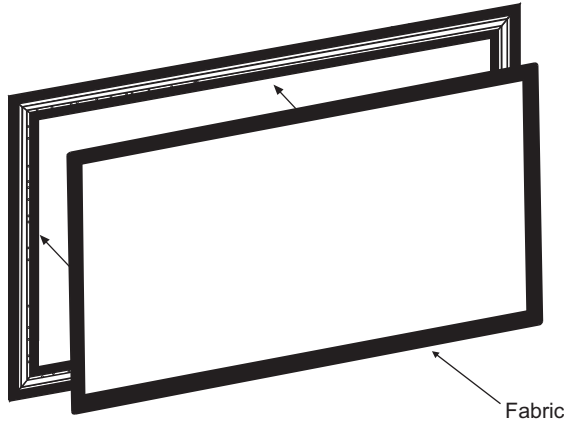


Back-view of the frame

Due to cold countries or low temperature room (below 25° Celsius) may cause fabrics to contract thus Inner track has to be used. In that case simply shift snap button to the inner track as shown.

Step 3

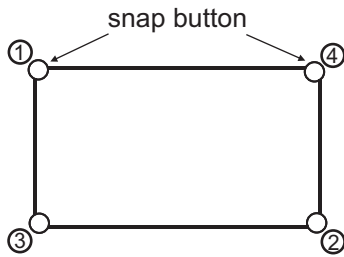
Back View



Screen Fabrics Assembly

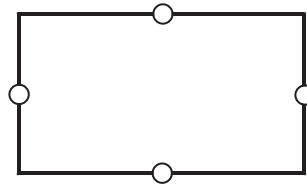
Lean the frame with buttons facing you. Place screen fabrics on the frame with the projection surface facing in front.

Step 4



Button the corner of fabric onto the frame starting from one corner indicated as ①. Proceed with diagonal corner ② follow by ③ and ④ as shown in the picture.

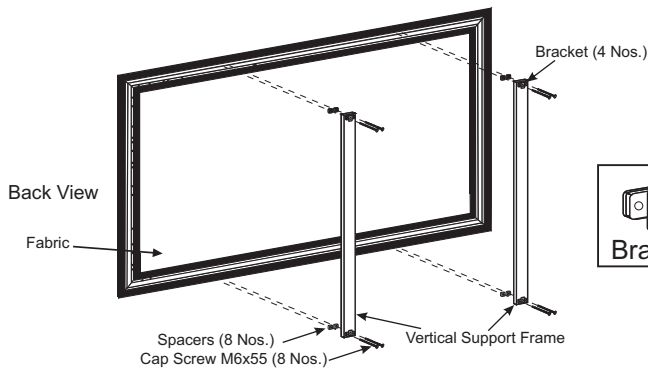
Step 5



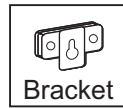
Button the fabric on the frame starting from the mid of each edges as shown. Snap up for the rest of the buttons.

Step 6

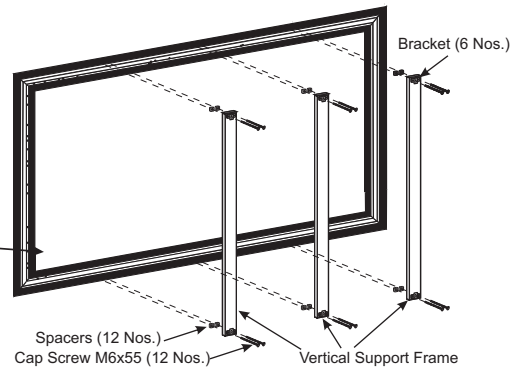
Fix up the vertical support frame as shown.
(Note: For FIX-1612V to FIX-3721H series, please proceed to Step 7)



(For FIX-4030V to FIX-5541V/C)

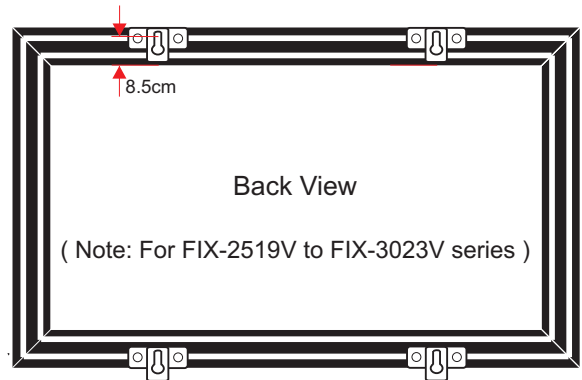
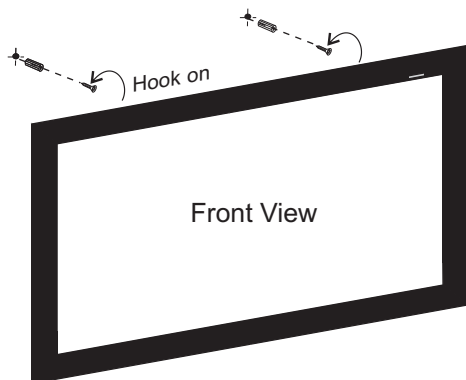


Back View



(For FIX-6045V/C to FIX-7052V/C)

Step 7



(Note: For FIX-2519V to FIX-3023V series)

Ceiling Positioning

The screen is provided with adjustable brackets which allow ease of installation.

Important Notes:

All screens are thoroughly inspected and fully tested operational in factory.
We accept no liability whatsoever for any losses due to improper installation, operation, or any unauthorized alternation at the point of installation.
All trademarks contained in this installation guide are the property of their respective owners.

End