

Installation Guide (For FAS Series)

Important Notes:

All screens are thoroughly inspected and fully tested operational in factory.
 We accept no liability whatsoever for any losses due to improper operation, or any unauthorized alternation.
 All trademarks contained in this installation guide are the property of their respective owners.

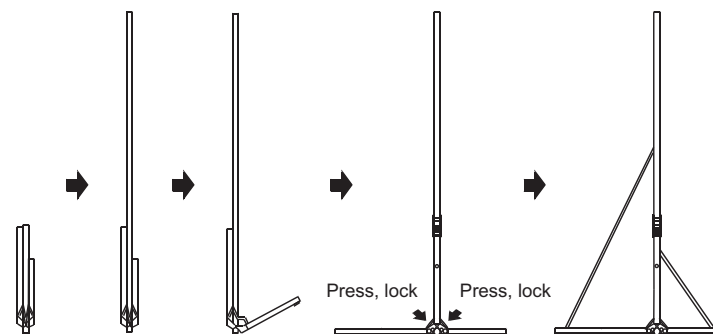
(A)



Packing List of Parts

1. Screen Frame x 1set
2. Frame Leg x 2
3. Front Projection Fabrics x 1
(Depend on the Model)
Rear Projection Fabrics x 1
(Depend on the Model)
4. Flight Case x 1
5. Knob Screw (Short) x 8 (All Models)
Knob Screw (Long) x 10
(FAS-3023 to FAS-4030)
6. Angle Frame Support x 4
(For FAS-3023 to FAS-4030)

(C)

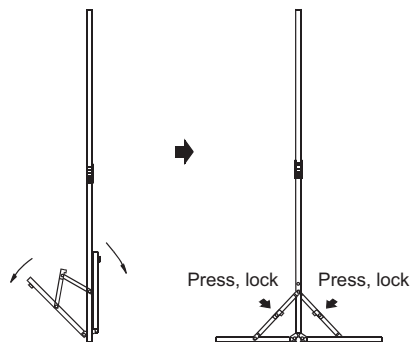


FAS-3023 to FAS-4030 Frame Leg

(B)

Steps for Installation:

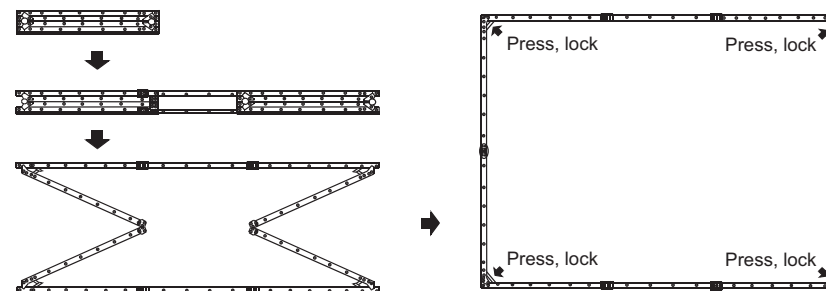
(Suggest to have 2 or more people to help with the installation,
 Make sure all parts and screws have been secured tightly before used)



FAS-2519 Frame Leg

(D)

Open frame and place the frame on a flat floor.
 Snap buttons facing up.

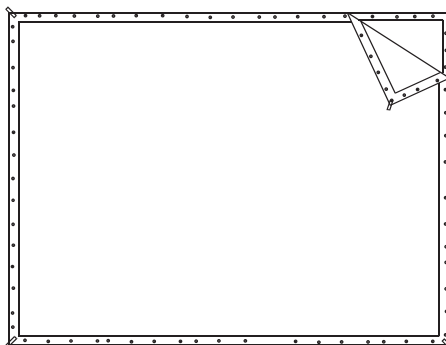


Installation Guide (For FAS Series)

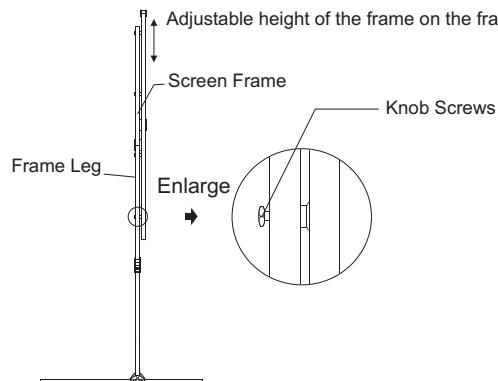
Important Notes:

All screens are thoroughly inspected and fully tested operational in factory. We accept no liability whatsoever for any losses due to improper operation, or any unauthorized alternation. All trademarks contained in this installation guide are the property of their respective owners.

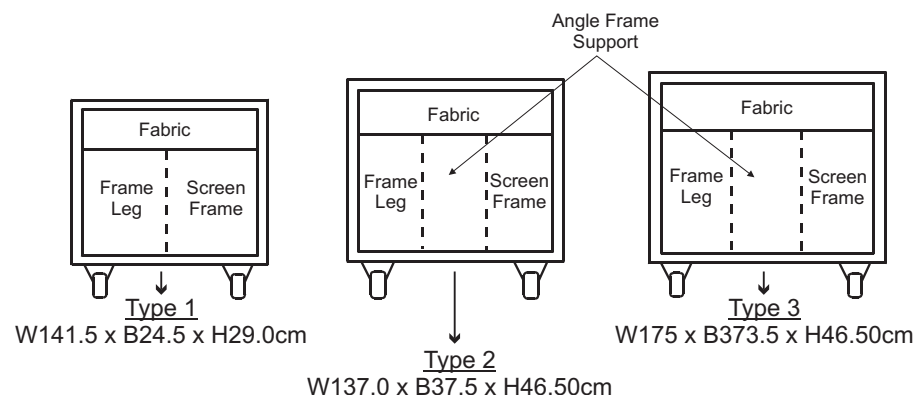
- (E) Unfold screen and fasten the snap buttons of the screen on the frame for the 4 corners first. Then fasten from the longest edge then to the shortest edge.



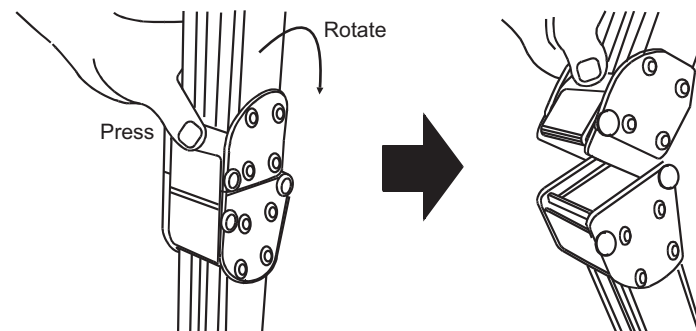
- (F) Fasten the screen onto the frame legs. Height is adjustable according to individual needs. Check if the manual screws are fastened tightly before installing the frame onto the frame legs. Otherwise the frame will shake and fall down.



- (G) Flight Case (Cross-section layout)



- (H) Fasten the joint. Please use certain strength when pressing the joint



END