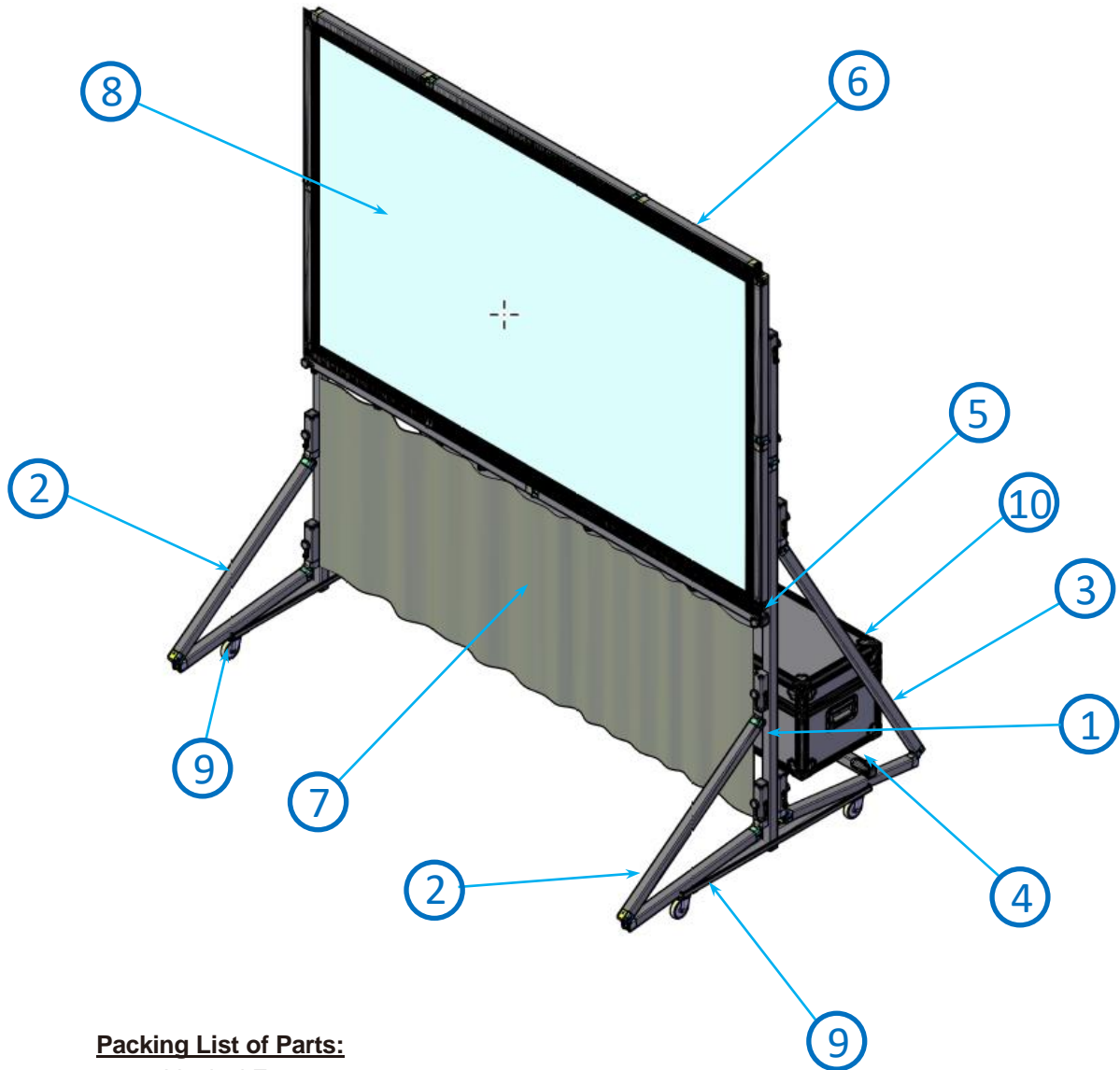


# Installation Guide (FAS Series)

**Important Notes:**

All screens are thoroughly inspected and fully tested operational in factory. We accept no liability whatsoever for any losses due to improper operation, or any unauthorized alternation. All trademarks contained in this installation guide are the property of their respective owners.

**Assembly Overview:**



**Packing List of Parts:**

1. Vertical Frame x2
2. Front adjustable foot x2
3. Back adjustable foot x2
4. Foot horizontal frame x1
5. Skirting Support Frame x1
6. Screen Frame x1
7. Skirting x2
8. Front projection fabric X1 or rear projection fabric X1 (depend on the model)
9. Castor bar detachable x2
10. Flight case x1

# Installation Guide (FAS Series)

**Important Notes:**

All screens are thoroughly inspected and fully tested operational in factory. We accept no liability whatsoever for any losses due to improper operation, or any unauthorized alternation. All trademarks contained in this installation guide are the property of their respective owners.

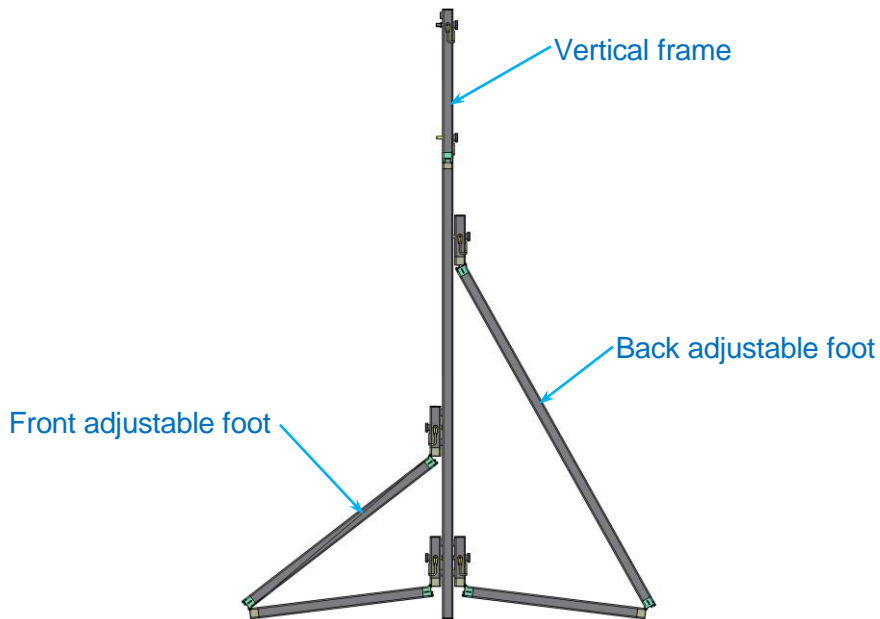
**Steps for Installation:**

(Suggest to have 2 or more people to help with the installation. Make sure all parts and screws have been secured tightly before used)

**Step 1:**

**Right Side Assembling**

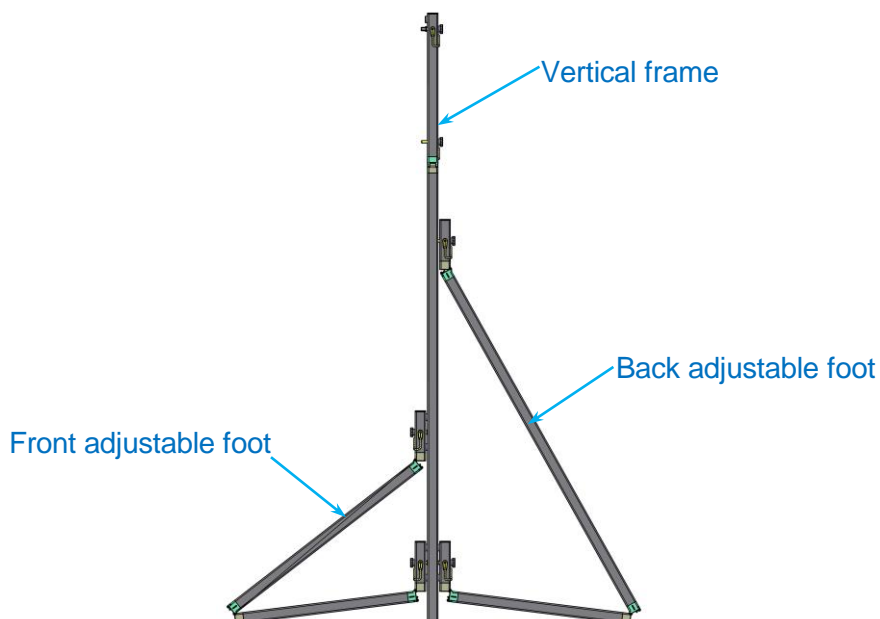
Place all parts on flat floor, then assemble the vertical frame, front adjustable foot & back adjustable foot as shown.



**Step 2:**

**Left Side Assembling**

Repeat step 1 to assemble 2<sup>nd</sup> set of the vertical frame, front adjustable foot & back adjustable foot as shown.



# Installation Guide (FAS Series)

**Important Notes:**

All screens are thoroughly inspected and fully tested operational in factory. We accept no liability whatsoever for any losses due to improper operation, or any unauthorized alternation. All trademarks contained in this installation guide are the property of their respective owners.

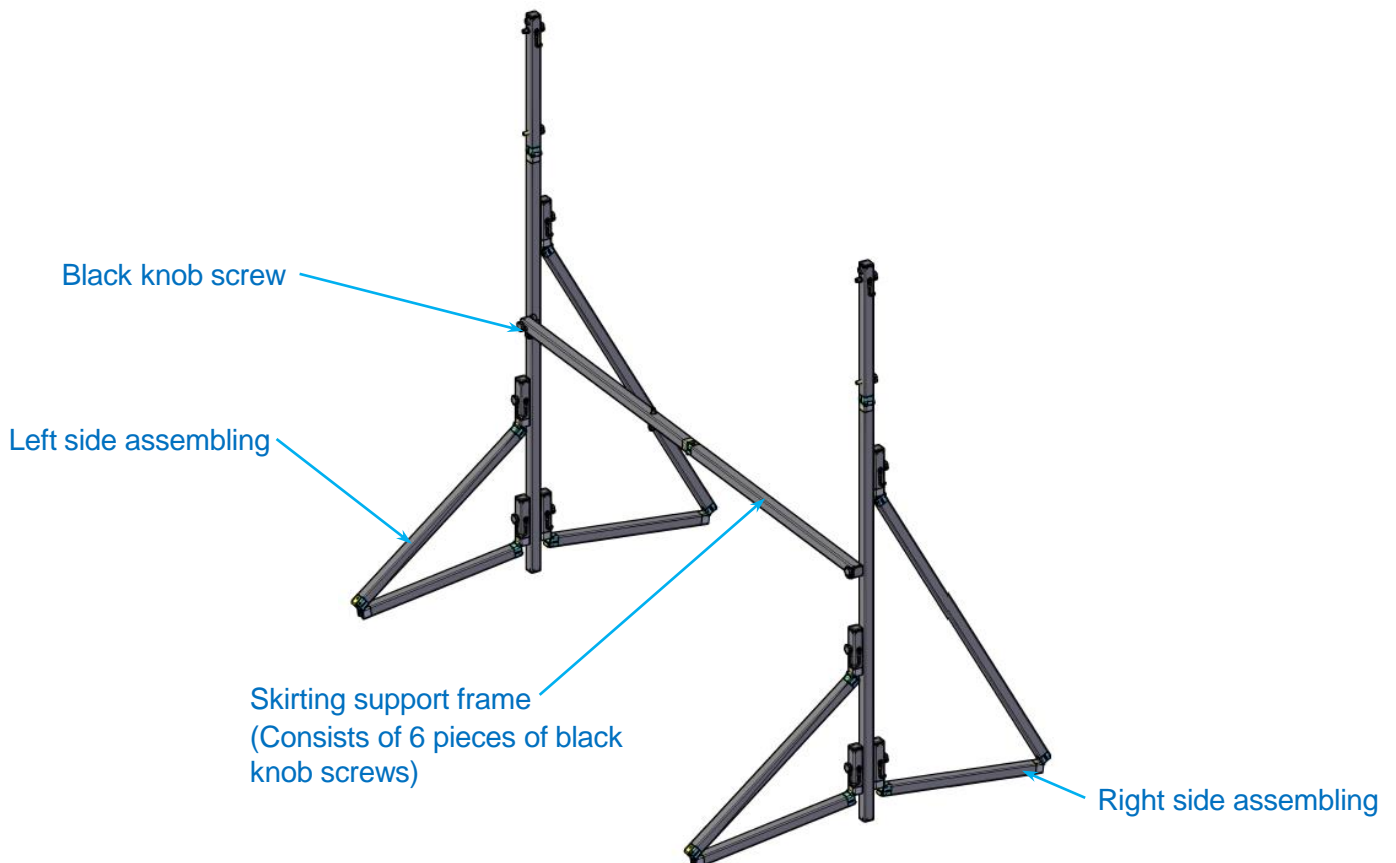
**Step 3:**

One person holding the skirting support frame in horizontal position, another person hold the right side assembling in the vertical position. Join these two parts using the black knob screw provided as shown.



**Step 4:**

Continue holding the skirting support frame in horizontal position, another person hold the left side assembling in the vertical position. Join these three parts using the black knob screw provided as shown.



# Installation Guide (FAS Series)

**Important Notes:**

All screens are thoroughly inspected and fully tested operational in factory. We accept no liability whatsoever for any losses due to improper operation, or any unauthorized alternation. All trademarks contained in this installation guide are the property of their respective owners.

**Step 5:**

Install the foot horizontal frame at the bottom side of the back adjustable foot using the two black knob screws provided.



# Installation Guide (FAS Series)

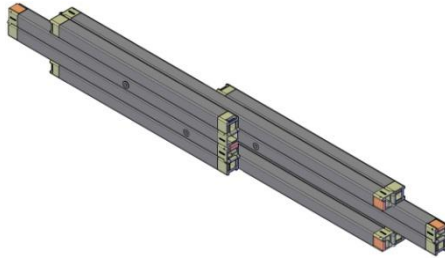
**Important Notes:**

All screens are thoroughly inspected and fully tested operational in factory. We accept no liability whatsoever for any losses due to improper operation, or any unauthorized alternation. All trademarks contained in this installation guide are the property of their respective owners.

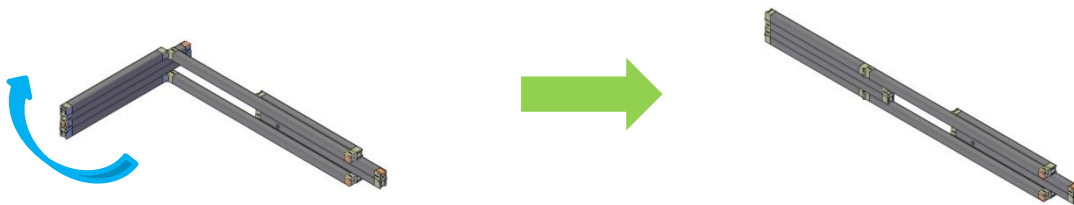
**Step 6:**

**Screen frame setup**

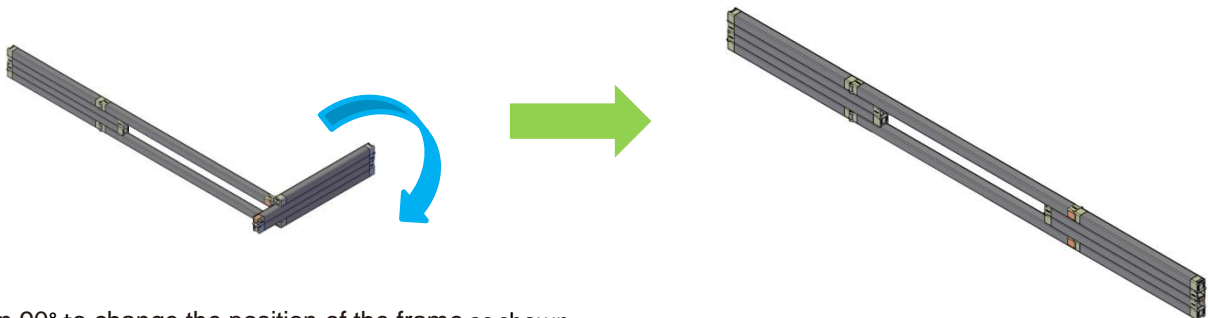
6.1 Firstly place the assembled screen frame on flat floor as shown.



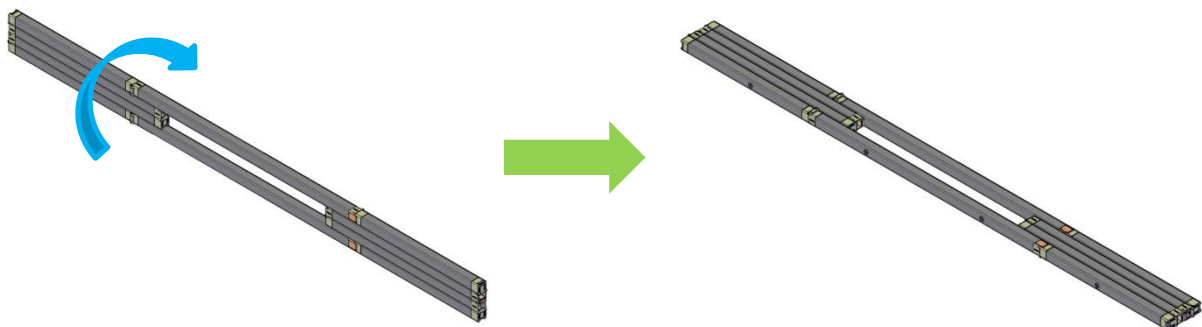
6.2 Open the left side of the frame to 180° position as shown.



6.3 Open the right side of the frame to 180° position as shown.



6.4 Turn 90° to change the position of the frame as shown.



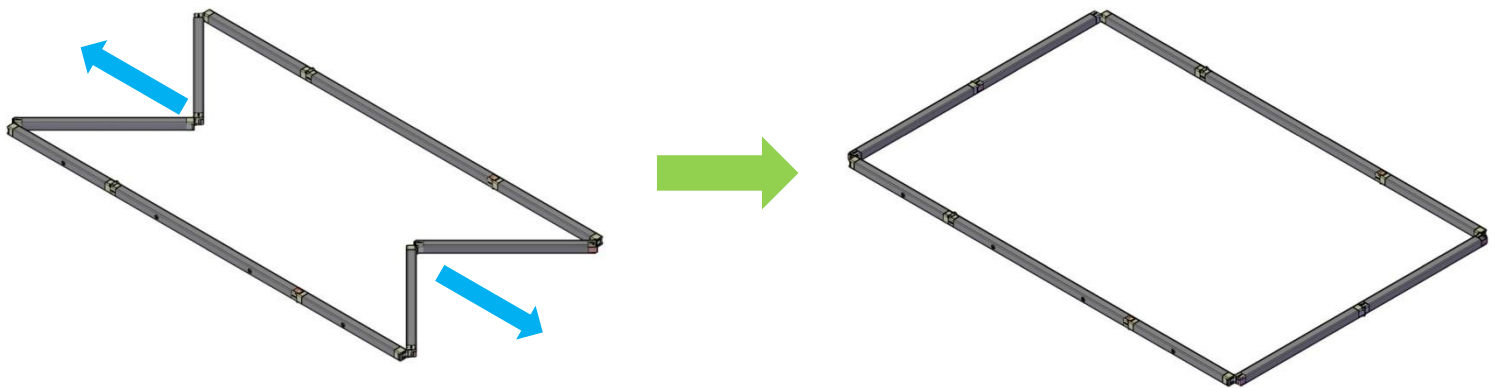
# Installation Guide (FAS Series)

**Important Notes:**

All screens are thoroughly inspected and fully tested operational in factory. We accept no liability whatsoever for any losses due to improper operation, or any unauthorized alternation. All trademarks contained in this installation guide are the property of their respective owners.

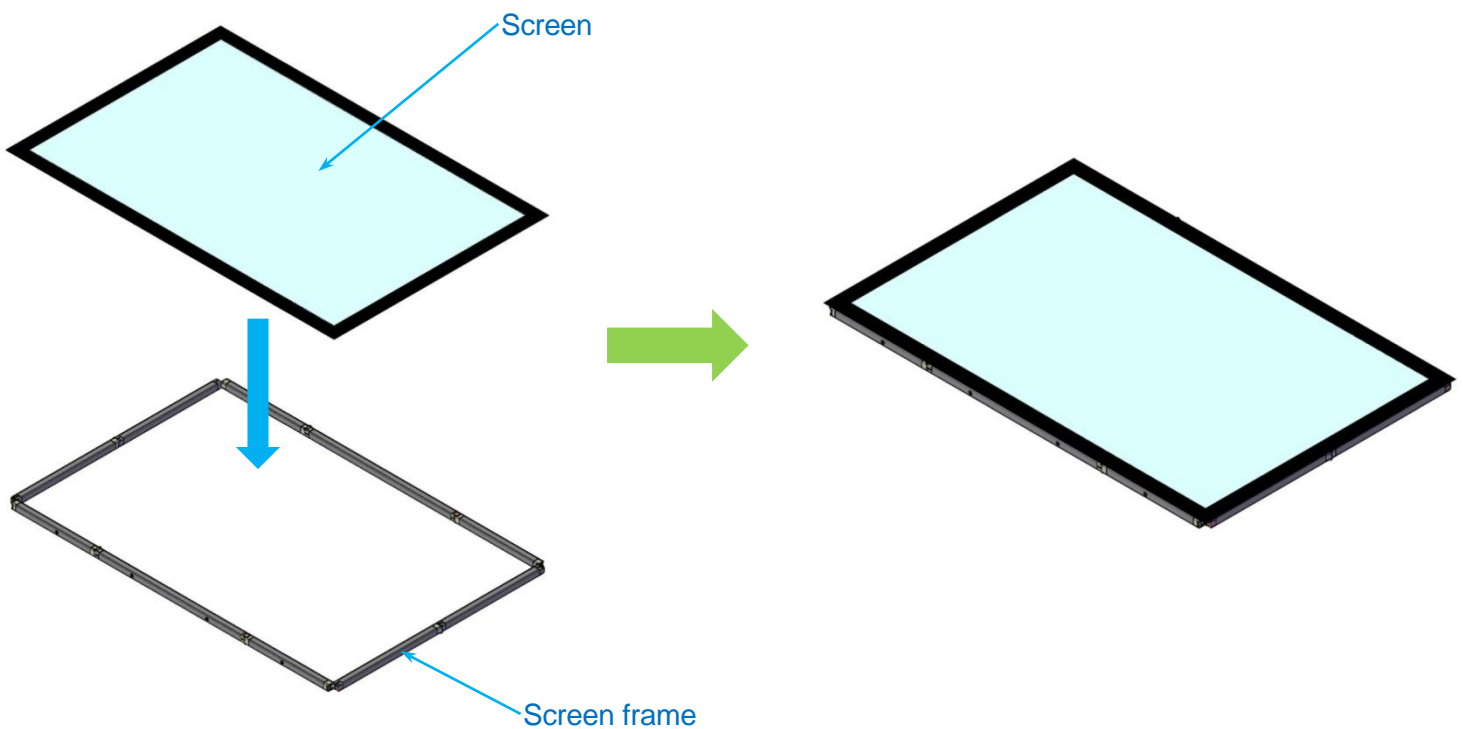
**Step 6:**

6.5 Open the right & left side frame as shown to complete the screen frame setup.



**Step 7:**

Unfold the screen and fasten the snap buttons of the screen on the screen frame.



# Installation Guide (FAS Series)

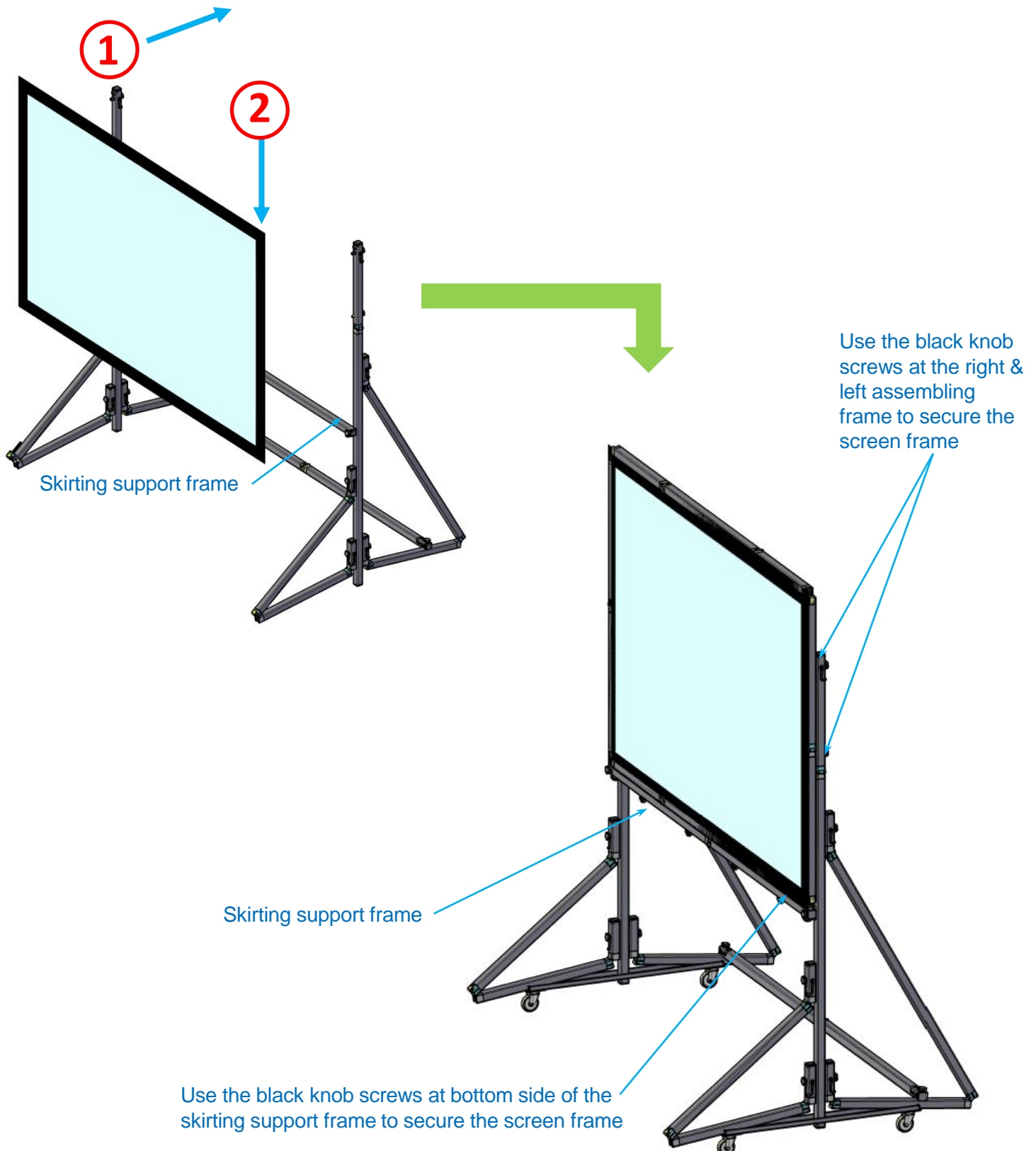
**Important Notes:**

All screens are thoroughly inspected and fully tested operational in factory. We accept no liability whatsoever for any losses due to improper operation, or any unauthorized alternation. All trademarks contained in this installation guide are the property of their respective owners.

**Step 8:**

Hold the frame with screen in vertical position and place in on the skirting support frame.

Secure the screen frame with the black knob screws provided at the skirting support frame and at left/right assembling.



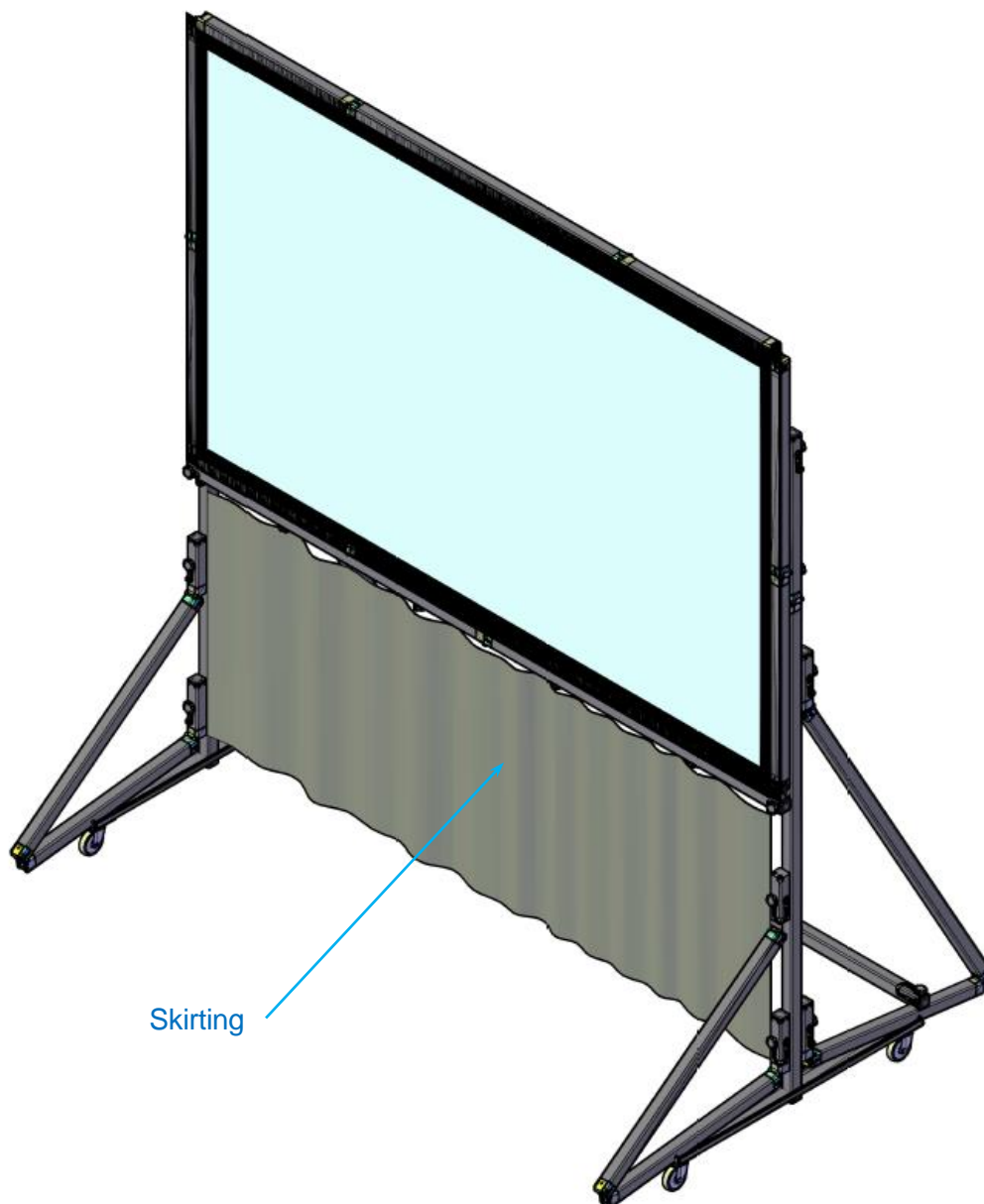
# Installation Guide (FAS Series)

**Important Notes:**

All screens are thoroughly inspected and fully tested operational in factory. We accept no liability whatsoever for any losses due to improper operation, or any unauthorized alternation. All trademarks contained in this installation guide are the property of their respective owners.

**Step 9:**

Install the skirting at the skirting support frame with the snap buttons provided.





# Installation Guide (FAS Series)

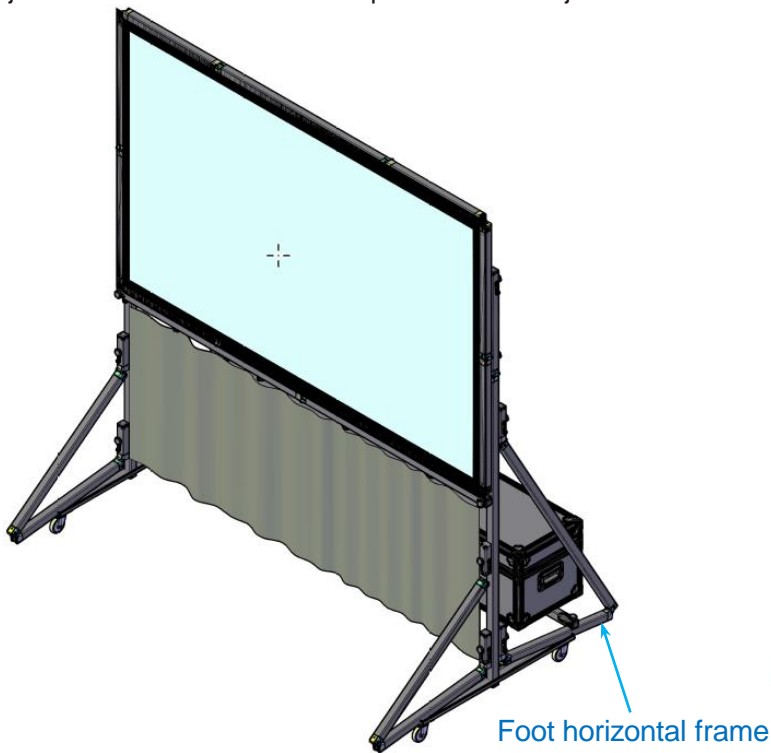
**Important Notes:**

All screens are thoroughly inspected and fully tested operational in factory. We accept no liability whatsoever for any losses due to improper operation, or any unauthorized alternation. All trademarks contained in this installation guide are the property of their respective owners.

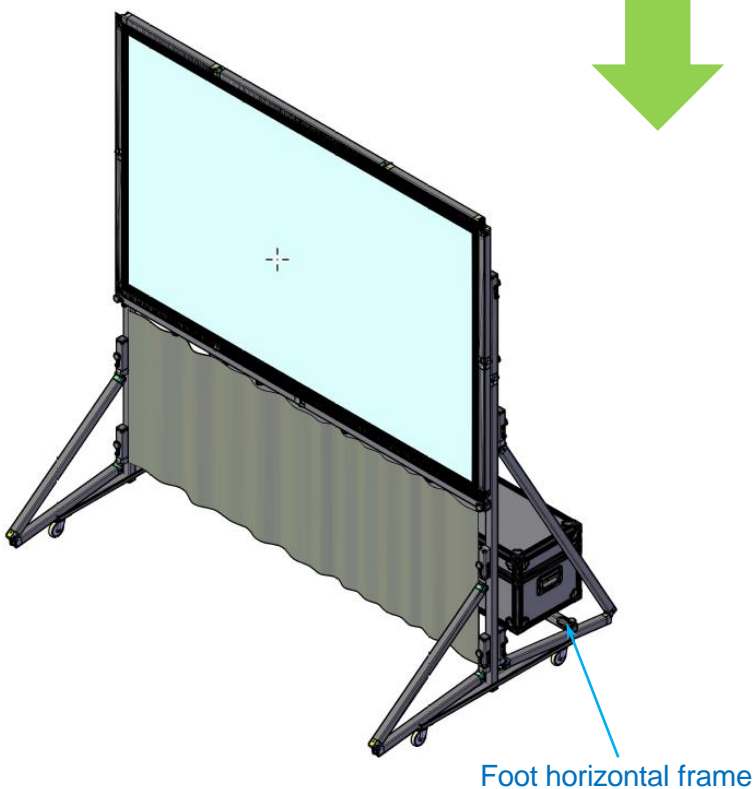
**Step 10:**

Place the flight case at behind the screen frame on top of the foot horizontal frame.

Adjust the foot horizontal frame to position where it just touches the bottom edge of the flight case.



Slide the foot horizontal frame upwards so that it touches the bottom surface of the flight case. Secure it with the black knob screws when done.



# Installation Guide (FAS Series)

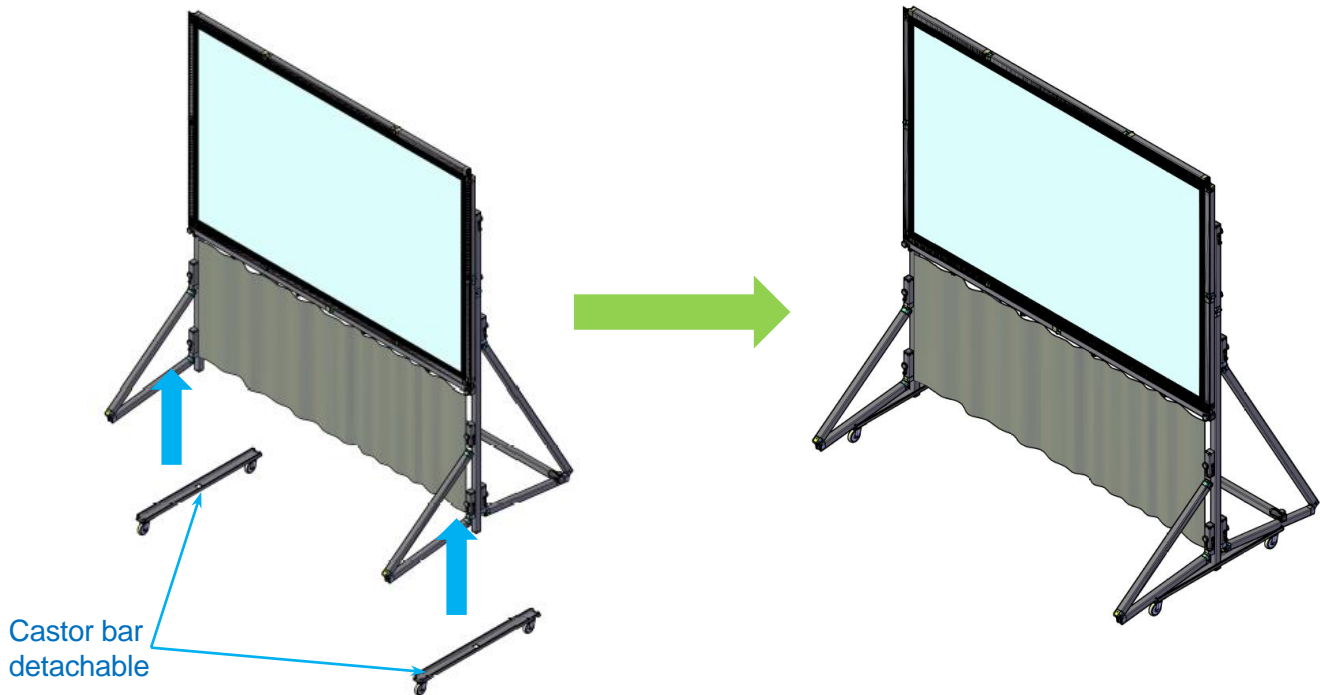
**Important Notes:**

All screens are thoroughly inspected and fully tested operational in factory. We accept no liability whatsoever for any losses due to improper operation, or any unauthorized alternation. All trademarks contained in this installation guide are the property of their respective owners.

**Appendix**

**1. Change location**

In case there is a need to change the location of the assembled structure, you may install the castor bar detachable that come with wheels to do the shifting.



**2. Levelling adjustment**

In case there is a need to adjust the frame levelling to the ground, you may loosen and change the position of the sliding block so as to change the angle of resting point of the assembly frame.

