

SPOT LOADING SYSTEM | AUTOMATIC LOADING SYSTEM WITH MANHOLE DETECTION (MANLESS OPERATION)



FEATURES

- * Chemical applications
- * Most efficient due to modern computer technology
- * Customer specific design
- * Meets highest hygienic and safety requirements
- * Low cost operation due to automation

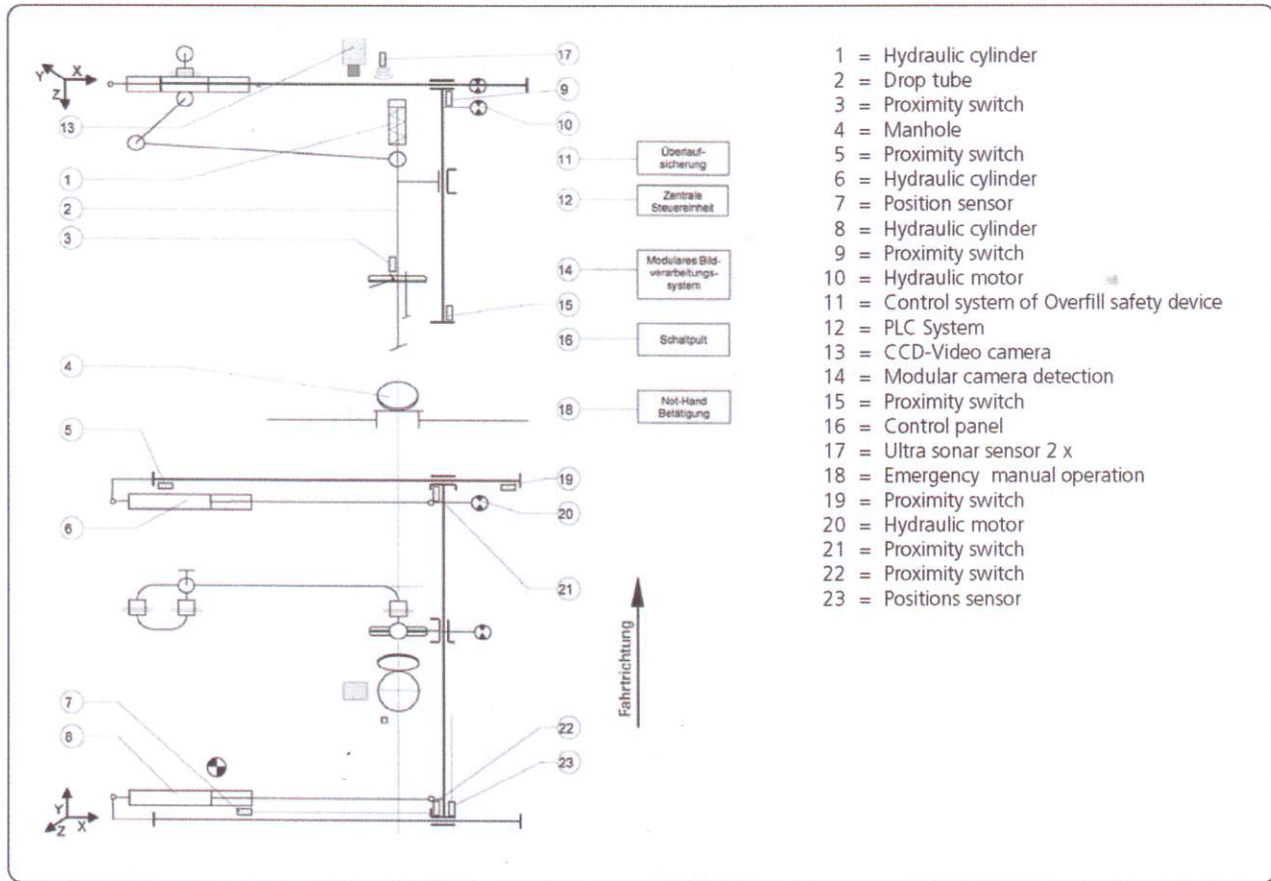
The position of the manhole will be detected by a CCD-Camera and a ultra sonar sensor, and its coordinates will be stored in the CPU (Central Processing Unit). Due to this information the drop tube will drive automatically to the manhole.

The system runs hydraulically or electrically. The correct connection will be supervised by a Connection detection system which is working with a proximity switch.

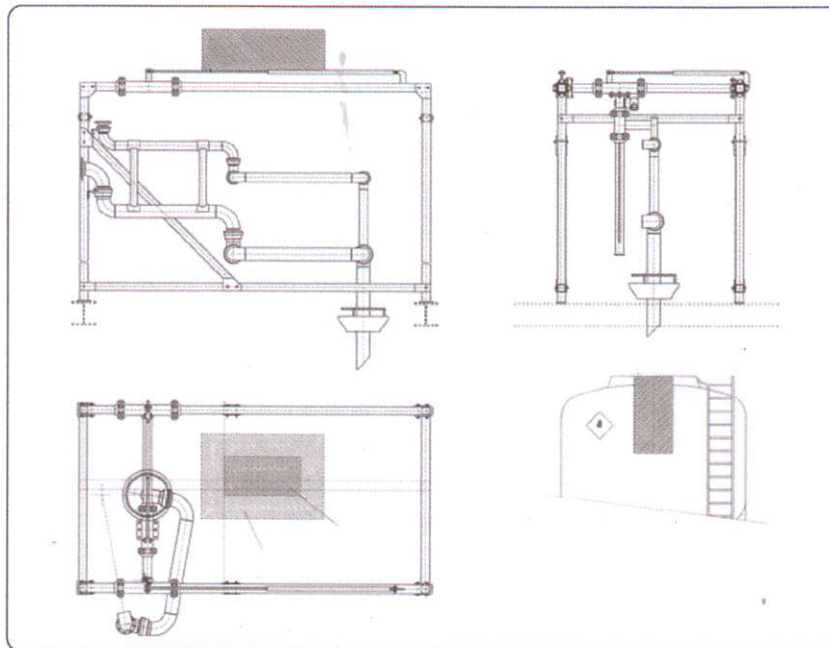
Filling process will be released in customers control room. The tank is prevented from overflow by a over fill safety device. The CPU includes a PLC system.

SPOT LOADING SYSTEM

SPOT LOADING SYSTEM | AUTOMATIC LOADING SYSTEM



TYPICAL APPLICATION



STANDARD DESIGN

EMCO WHEATON carbon steel swivel joint with flame hardened ball race way for a long life time!

For more details see our data sheet swivel joint **D2000**.



D2000 Swivel Joint

Whilst the content of this leaflet has been edited with the greatest care, we are not liable for any errors and/or omissions. Subject to change without notice.

Spot Loading System EN 05/08

Better by
Design



EMCO WHEATON

A Gardner Denver Product

EMCO WHEATON GmbH
Emcostraße 2-4 · 35274 Kirchhain · Germany
Phone +49 6422 84-0 · Fax +49 6422 5100
www.emcowheaton.com · assist@emcowheaton.com