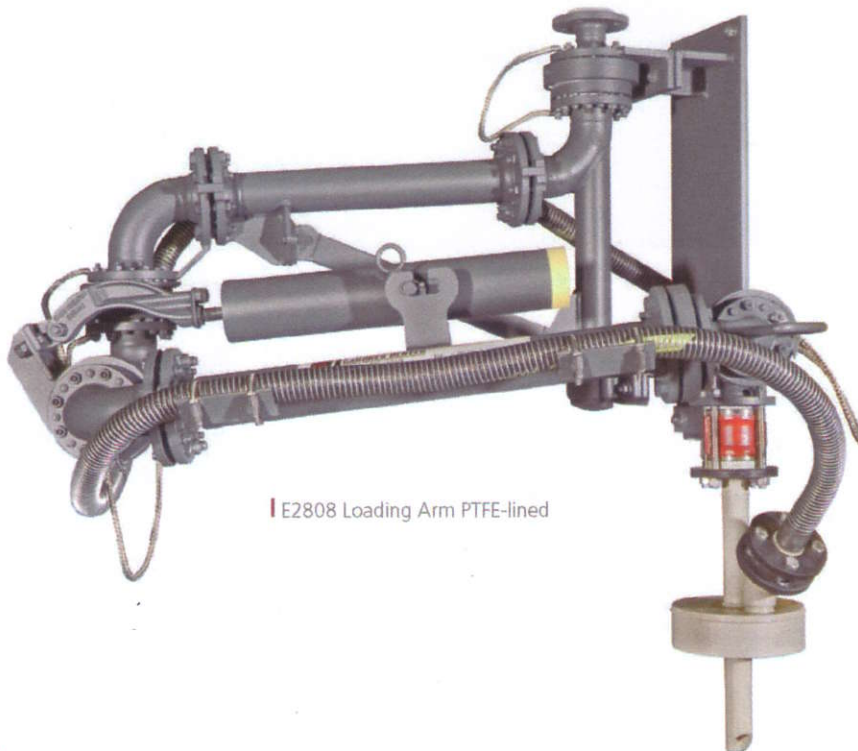


## LOADING ARM FOR CHEMICALS | PTFE-LINED



E2808 Loading Arm PTFE-lined

### FEATURES

- \* Chemical applications
- \* PTFE-lined inside

This type of loading arm is especially designed for loading/unloading of acid and caustics (e.g. 33 % hydrochloric acid, 30 % sulphuric acid etc.).

It is suitable for closed and open top loading/unloading of Road and Rail tankers with flange connection or cone. The closed system prevents the escape of poisonous and aggressive vapor.

The loading arm has a long reach and is suitable for applications where tanker connection flange cannot be accurately positioned.

Because of the robust and high quality design of the swivel joints and the precise loading arm balancing handling of the loading arm is very convenient.

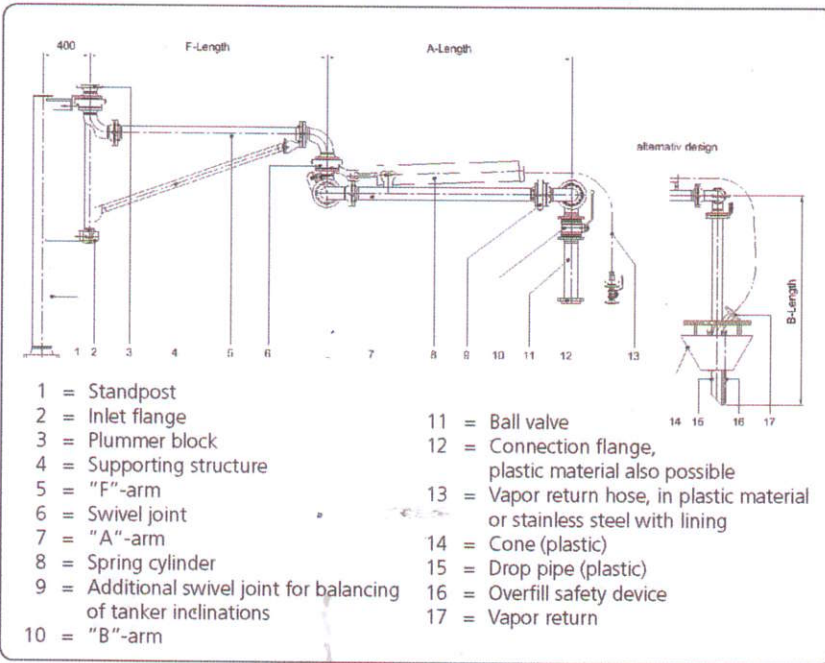
# LOADING ARM FOR CHEMICALS

# LOADING ARM FOR CHEMICALS | PTFE-LINED

## MATERIALS AND TECHNICAL DATA

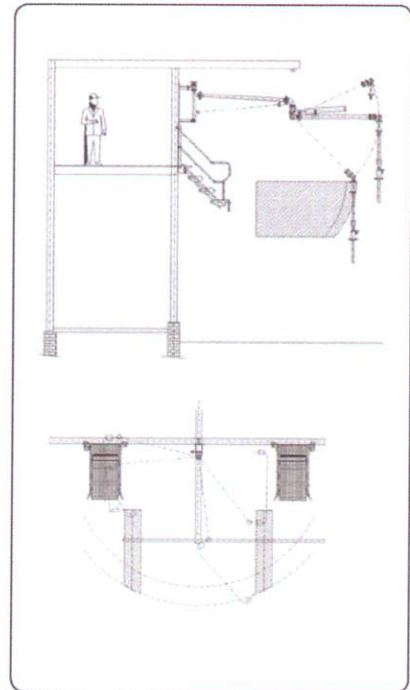
| Size DN             | Balancing method   | Design      |                  | Materials of product carrying components |                                       |
|---------------------|--|-------------|------------------|--|---------------------------------------|
|                     |  | temperature | -50 °C - +150 °C | loading arm                              | carbon steel,<br>stainless steel      |
| 50, 80,<br>100, 150 | spring cylinder<br>counter weights<br>pneumatically<br>hydraulically | pressure    | 10 bar           | drop pipe - open<br>filling              | plastic                               |
|                     |  |             |                  | swivel joint seals                       | PTFE                                  |
|                     |  |             |                  | lining                                   | PTFE, PTFE electrically<br>conductive |

Please advise with your inquiry the exact product specification!



Inlet flange can also be in down stream design. Alternative variations of the loading arm are possible. Even other loading arm types can be provided with lining.

### TYPICAL APPLICATION



EMCO WHEATON PTFE-lined carbon steel swivel joint with flame hardened ball race way for a long life time!

For more details see our data sheet swivel joint **D2000 PTFE**.



D2000 PTFE-lined Swivel Joint

Whilst the content of this leaflet has been edited with the greatest care, we are not liable for any errors and/or omissions. Subject to change without notice.

E2806, E2807, E2814, E2815 EN 05/07

Better by  
Design



**EMCO WHEATON**  
A Gardner Denver Product

EMCO WHEATON GmbH  
Emcostraße 2-4 · 35274 Kirchhain · Germany  
Phone +49 6422 84-0 · Fax +49 6422 5100  
www.emcowheaton.com · assist@emcowheaton.com