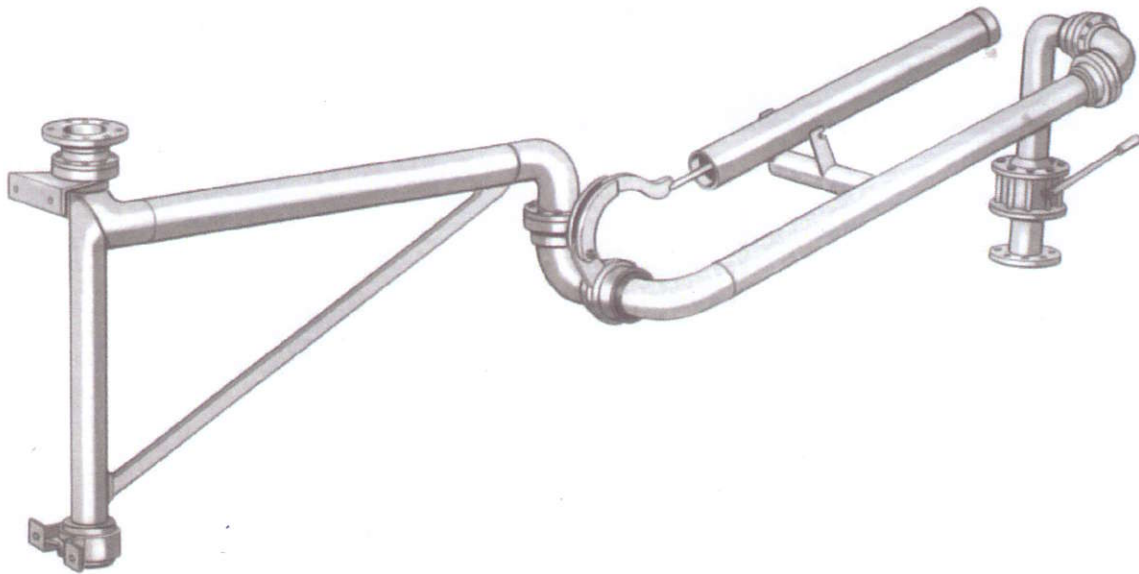


## **E2816 - E2819, E2615 - E2618 |** STANDARD LOADING ARMS



This type of loading arm is especially designed to load chemical products. It is suitable for the top loading of Road or Rail tankers using the manhole. The loading arm has a long reach and is suitable for application where the manhole cannot be accurately positioned.

Because of the robust and high quality design of the swivel joints and the precise loading arm balancing handling of the loading arm is very convenient.

### **FEATURES**

- \* Chemical application

# **E2816 - E2819, E2615 - E2618**

# E2816 - E2819, E2615 - E2618 | LOADING ARMS

## TECHNICAL DATA 2816 - E2819, E2615 - E2618

Size DN	A*	B*	F*	H*	D	Q DIN PN 16	Q ANSI 150 lbs
mm	mm	mm	mm	mm	mm	mm	mm
50	2000	500	2000	1300	256	225	244
80	2800	500	2000	1300	333	269	288
100	2800	500	2000	1300	411	311	335

Alternative dimensions and materials on request

### TYPES

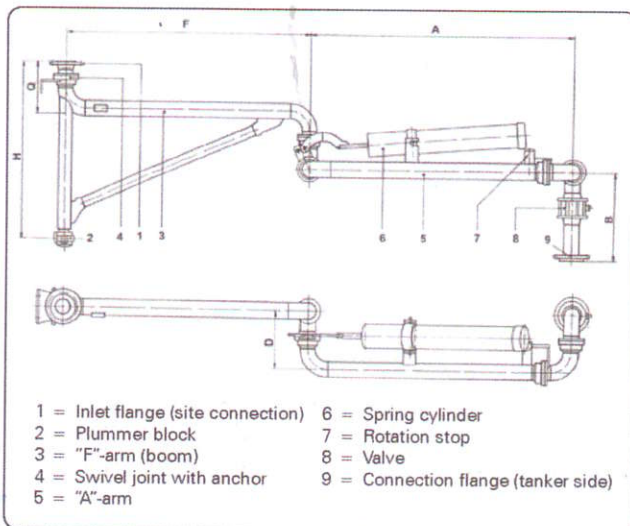
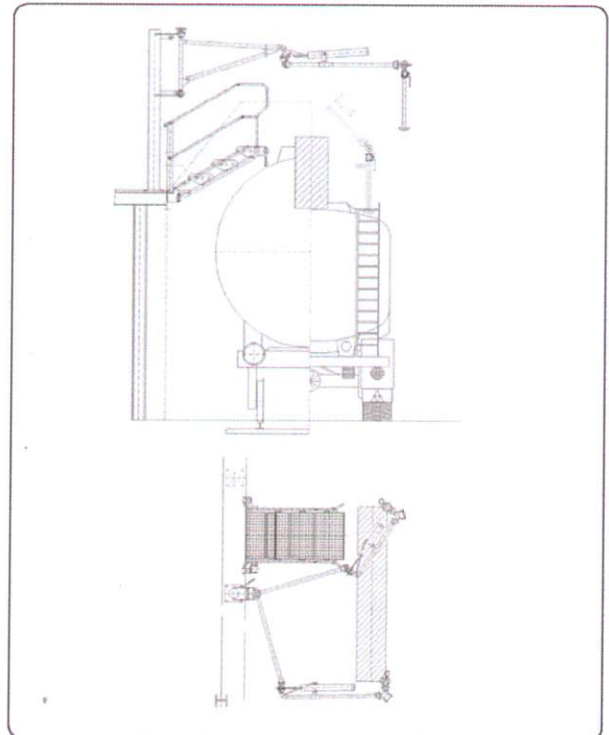
Sketch	Type	DN	Balancing method
	E2816 E2615	50, 80, 100, 150	SC CW
	E2817 E2616	50, 80, 100, 150	SC CW
	E2818 E2617	50, 80, 100, 150	SC CW
	E2819 E2618	50, 80, 100, 150	SC CW

SC = Spring cylinder, CW = Counterweight

### MATERIALS OF PRODUCT CARRYING PARTS

Loading arm	Carbon steel, stainless steel (low temperature possible)
Seals	Buna, Viton, PTFE
Accessories	emergency release system, relief or purge line, flange connection detection system, vapor return hose
Design pressure (up to shut off valve)	max. 40 bar
Design temperature	-50 to +300 °C

### TYPICAL APPLICATION



- |                                    |                                     |
|------------------------------------|-------------------------------------|
| 1 = Inlet flange (site connection) | 6 = Spring cylinder                 |
| 2 = Plummer block                  | 7 = Rotation stop                   |
| 3 = "F"-arm (boom)                 | 8 = Valve                           |
| 4 = Swivel joint with anchor       | 9 = Connection flange (tanker side) |
| 5 = "A"-arm                        |                                     |

Whilst the content of this leaflet has been edited with the greatest care, we are not liable for any errors and/or omissions. Subject to change without notice.

E2816 - E2819, E2615 - E2618 EN 05/07

Better by  
Design



**EMCO WHEATON**

A Gardner Denver Product

EMCO WHEATON GmbH  
Emcostraße 2-4 · 35274 Kirchhain · Germany  
Phone +49 6422 84-0 · Fax +49 6422 5100  
www.emcowheaton.com · assist@emcowheaton.com