

E2806, E2807, E2814, E2815 | STANDARD LOADING ARMS



FEATURES

- * Petroleum applications
- * Chemical applications

This type of loading arm is especially designed for the top loading of road or rail tankers using the manhole. The loading arm has a variable reach and is suitable for applications where the manhole can not be positioned accurately.

Because of the robust and high quality design of the swivel joints and the precise loading arm balancing handling of the loading arm is very convenient.

E2806, E2807, E2814, E2815

E2806, E2807, E2814, E2815 | LOADING ARMS

TECHNICAL DATA E2806, E2807, E2814, E2815

Size DN	A*	B*	C*	D	L Mineral Oil	L Chemical	J DIN PN 16	J ANSI 150 lbs
mm	mm	mm	mm	mm	mm	mm	mm	mm
50	2000	1200	600	256	249	256	225	244
80	2400	1200	600	333	327	333	269	288
100	2400	1200	600	411	383	411	311	335
150	2400	1200	600	665	534	625	452	485

Alternative dimensions and materials on request

TYPES

Sketch	Type	DN	Balancing method
Mineral oil industry			
	E2806	80, 100, 150	SC
	E2814-901	50	
	E2807	80, 100, 150	SC
	E2815-901	50	
Chemical oil industry			
	E2814	50, 80, 100	SC
	E2030		CW
	E2815	50, 80, 100	SC
	E2360		CW

DN 50 version with ball valve instead of valve.
 Remote control with return spring
 SC = Spring cylinder
 CW = Counterweight

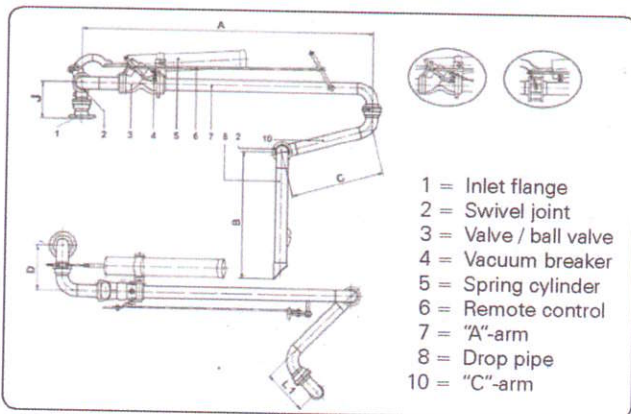
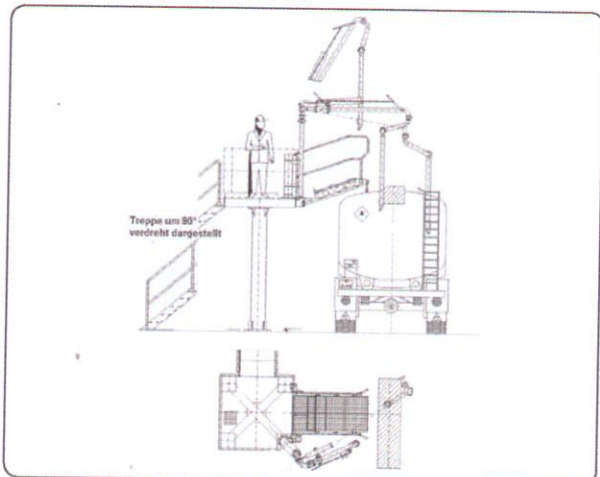
MATERIALS OF PRODUCT CARRYING PARTS

Inlet flange up to valve	Carbon steel
Valve	C.G. iron
"A"-tube to outlet	Aluminium
Seals	Buna, Viton
Design pressure (up to shut off valve)	max. 19 bar
Mineral oil industry	

MATERIALS OF PRODUCT CARRYING PARTS

Inlet flange up to valve	Carbon steel, stainless steel
Valve	
"A"-tube to outlet	
Seals	Buna, Viton, PTFE
Design pressure (up to shut off valve)	max. 40 bar
Chemical industry	

TYPICAL APPLICATION:



Whilst the content of this leaflet has been edited with the greatest care, we are not liable for any errors and/or omissions. Subject to change without notice.

E2806, E2807, E2814, E2815 EN 05/07

Better by
DESIGN



EMCOWHEATON

A Gardner Denver Product

EMCO WHEATON GmbH
 Emcostraße 2-4 · 35274 Kirchhain · Germany
 Phone +49 6422 84-0 · Fax +49 6422 5100
 www.emcowheaton.com · assist@emcowheaton.com