

E0300 | STANDARD LOADING RACK



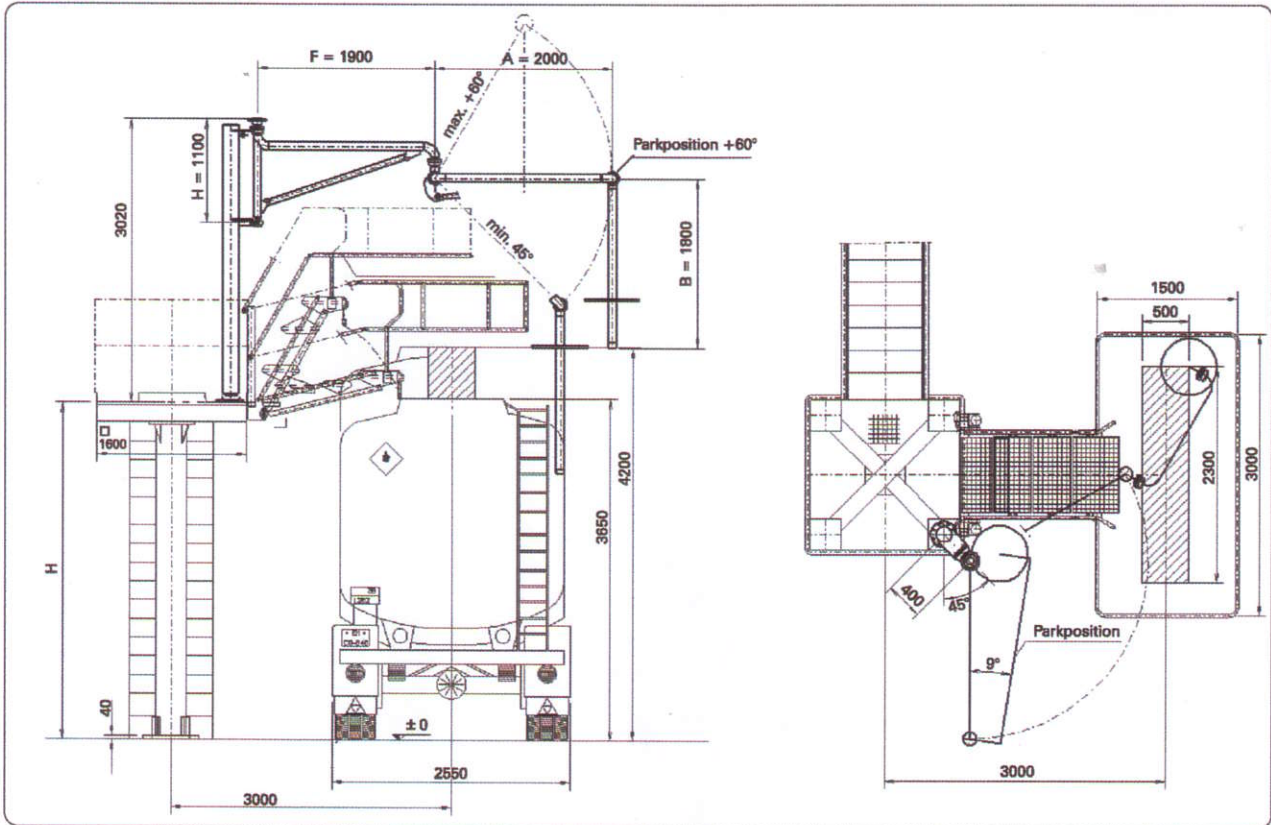
FEATURES

- * Safety hand rail
- * Hot-dip galvanized anti-skid gratings
- * Welded top and base plate
- * Hot-dip galvanized anti-skid steps
- * 3 different types of staircases available (stairs, ship's ladder, ladder)
- * Platform, stairway, standpost are bolted together
- * 1600 mm platform made of welded sectional steel
- * Stable design according to DIN 31003 with static approval
- * Equipment with up to 2 loading arms and one folding stairway with safety basket is possible
- * Hot-dip galvanizing of complete loading rack is possible
- * Hand rail of stairway and platform can be delivered also with double safety bar

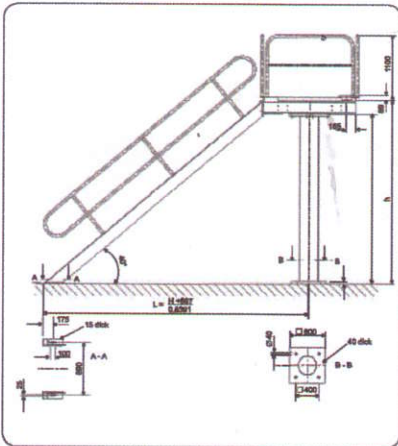
E0300

E0300 | STANDARD LOADING RACK

TYPICAL EXAMPLE



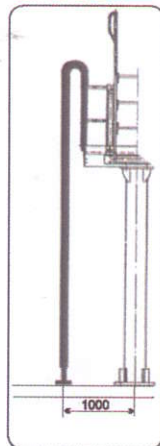
STAIR CASE



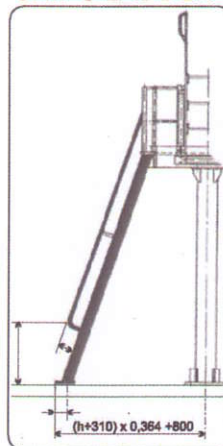
The following parameters have to be defined by the customer:

- * The staircase has to be positioned always at S1
- * Position of folding stairway at S2 or S3 or S4
- * Position of loading arm at V1 or V2 or V3 or V4

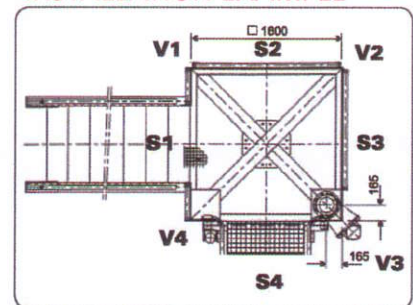
LADDER



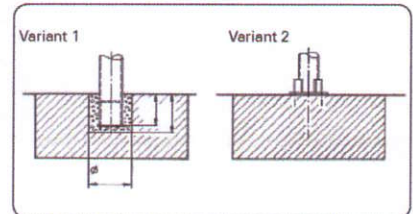
SHIP'S LADDER



INSTALLATION EXAMPLE



FOUNDATION DESIGN FOR THE STANDPOST



Max. foundation design:
 Bending moment = 93.9 kNm
 Vertical force = 78.6 kN
 Horizontal force = 4.1 kN

- * Height of loading rack "h". For a platform height "h" of more than 3040 an intermediate platform is required in accordance with DIN 31003

Please note:
 Due to structural reasons dimension "h" always must be divisible by 190!

- * Foundation design: variant 1 or 3

Better by
 Design



EMCOWHEATON

A Gardner Denver Product

EMCO WHEATON GmbH
 Emcostraße 2-4 · 35274 Kirchhain · Germany
 Phone +49 6422 84-0 · Fax +49 6422 5100
 www.emcowheaton.com · assist@emcowheaton.com