

SHORT THROW PROJECTOR MOUNT

AST SERIES

Elegant

Aluminum Profile extension pole

Cable Management

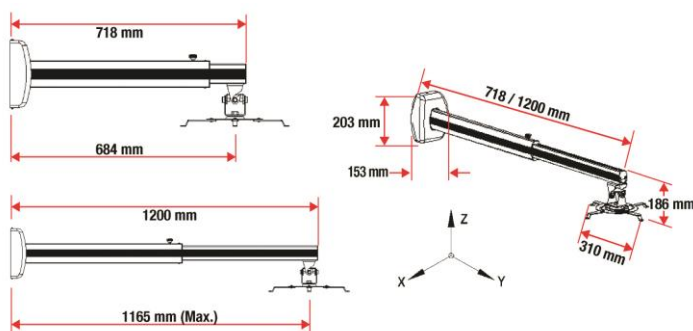
Sufficient pole space to hidden all power and signal cable

Safe

Every interval can be secured by screw

Adjustable

Pitch, Roll and Yaw of projector are fully adjustable through the universal joint



Model	AST1200	AST1250	AST1500	AST1600
Min. Length (L) / mm	684	709	834	884
Max. Length (L) / mm	1165	1215	1465	1565
Pole Material	Aluminum			
Height / Length Adjustment Interval / mm	N.A.			
Max. adjustable length / mm	481	506	631	681
Product Dimension (LxWxH) / mm	1300x310x258	1350x310x258	1600x310x258	1700x310x258
Max. mounting hole linear distance (L1) / mm	296	296	296	296
Min. mounting hole linear distance (L1) / mm	255	255	255	255
Pitch / °	±42°			
Roll / °	±42°			
Yaw / °	±25°			
Max. loading / kg	12		10	
Inner Box Dimension / mm	1030x180x110	1055x180x110	1180x180x110	1230x180x110
Net Weight per single unit / kg	3.70	3.80	4.20	4.35
Gross Weight per single unit / kg	4.30	4.50	5.20	5.50
Unit per outer carton / pcs	6			
Outer Carton Box Dimension / mm	1055x390x350	1075x390x350	1205x390x350	1255x390x350
Gross Weight per Outer Carton Box / kg	27.30	28.30	33.60	35.40
Full 20' container load / pcs	1080	1044	792	792